

MERITOR® AIR DISC BRAKE

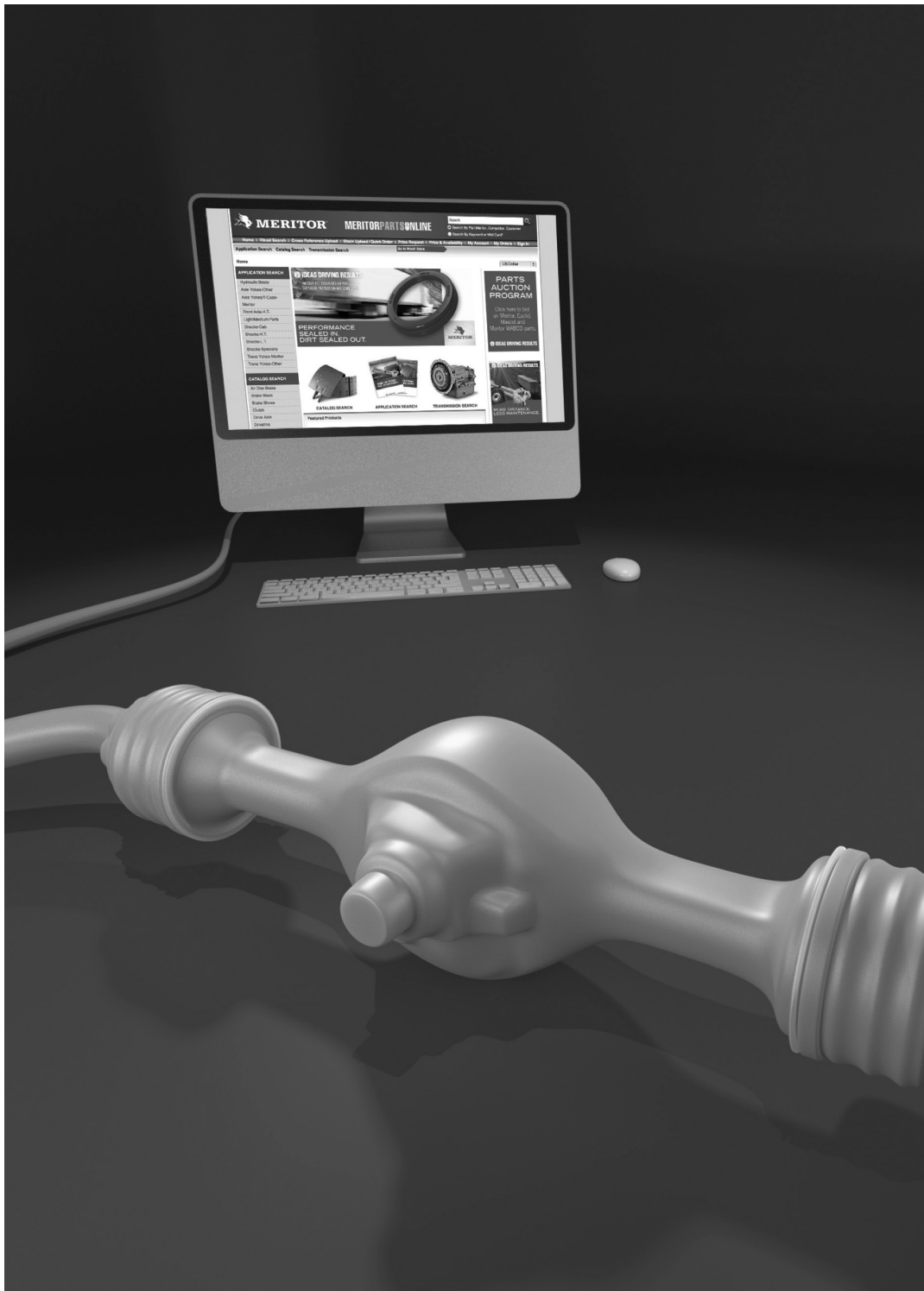


MERITOR



CONTENTS

Brake Chambers	92
Brake Pads	8
Cross References	
Competitive Cross	93
Disc Pad	68
Rotors	71
Exploded Views and Parts List	
Bendix®/Knorr-Bremse®	32
Duramaster®	34
Meritor®	40
Wabco®	62
Rotors	26
Brake Chambers	30
Calipers	
Axial Series	
Axial Mount Caliper with Axial Mount Chamber	52
Axial Mount Caliper with Radial Mount Chamber	54
Radial Series	
Radial Mount Caliper with Axial Mount Chamber	56
Radial Mount Caliper with Radial Mount Chamber	58
Caliper to Torque Mounting Kits	80
EX+™ Series Parts Breakdown	72
Hub Assemblies	
Front	87
Rear	89
Individual Parts Listing	60
Mounting Styles	78
Nomenclature	3
Optional Shields	86
Pad Geometry Compatibility	76
Part Number/Serial Number Location	4
Suggested Stocking Lists	82
Tools	86



MERITOR WABCO
Safety Strong. Efficiency Smart.

ALLFIT

EUCLID

Remanufactured by Meritor
GREEN

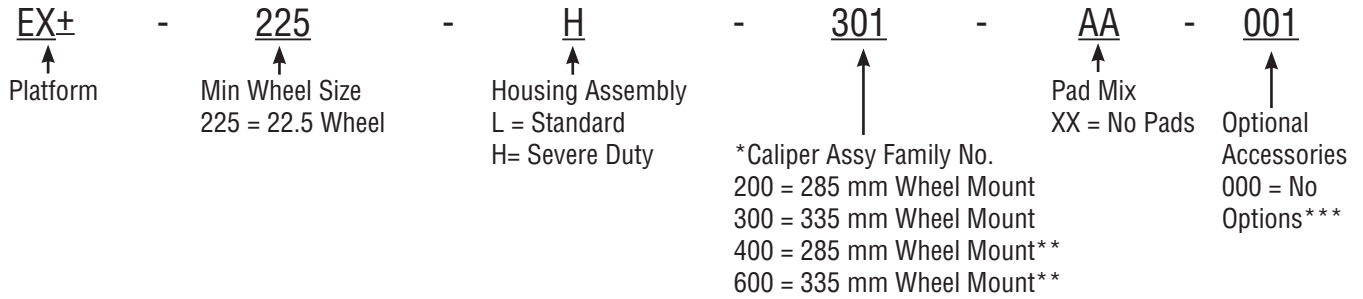
MERITORPARTSONLINE.COM

Your 24/7/365 access to genuine Meritor, Meritor WABCO, Meritor AllFit, Euclid, and Meritor Green parts ordering, plus real-time pricing, parts comparisons and in-depth technical information.

©2014 Meritor, Inc. meritor.com



EX+ NOMENCLATURE



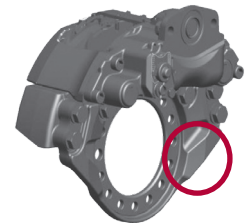
*Also defines bridges and other options of base caliper assembly.

**Radial mount

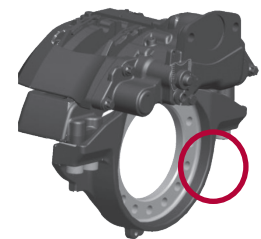
***Contact Customer Service if you have suffixes other than 000, otherwise refer to rules below.

Example: EX225H215XX101

Options	
001 - 099	Contact Customer Support
100	Stainless Steel Visual Wear Indicator
101	Stainless Steel Slide Pins and Plastic Visual Wear Indicator
102	Off-Highway Dust Shield A-3264 S 1553
103	TSE Chamber A5 3376 X 24
104	TSE Chamber D3 3376 X 24
105	Stainless Steel Visual Wear Indicator With Pad Wear Warning Indicator
106	Standard Configuration With PWWI
107	TSE Chamber A5 3376 T 20
108	TSE Chamber A4 3376 X 24
109	TSE Chamber A6 3376 X 24
110	TSE Chamber A3 3376 X 24
111	TSE Chamber A7 3376 X 24
112	TSE Chamber A5 3376 A 27
113	TSE Chamber A4 3376 A 27
114	TSE Chamber A6 3376 A 27
115	TSE Chamber A3 3376 A 27
116	TSE Chamber A7 3376 A 27
117	TSE Chamber D2 3376 X 24
118	TSE Chamber D4 3376 X 24
119	TSE Chamber A32 3376 X 24
120	TSE Chamber A33 3376 X 24
121	TSE Chamber A9 3376 A 27
122	TSE Chamber A10 3376 A 27

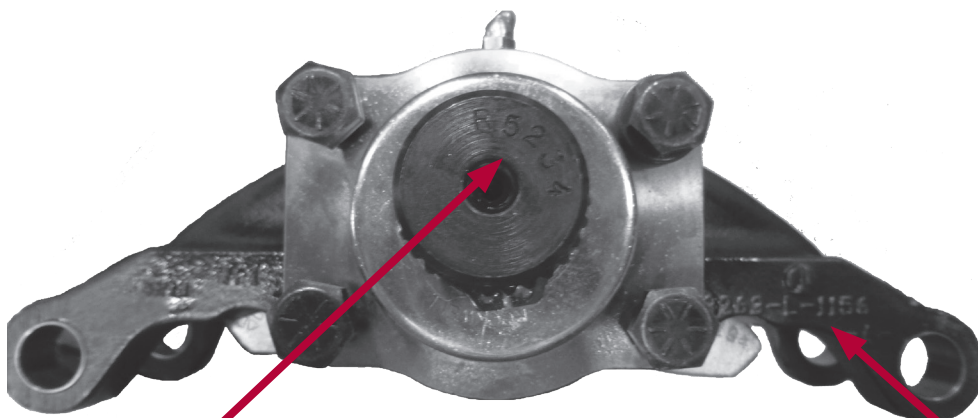


Mounting bolts oriented horizontally fastening caliper to torque plate



Mounting bolts oriented vertically fastening caliper to torque plate

LOCATING PART NUMBER AND SERIAL NUMBER ADB 1560 SERIES

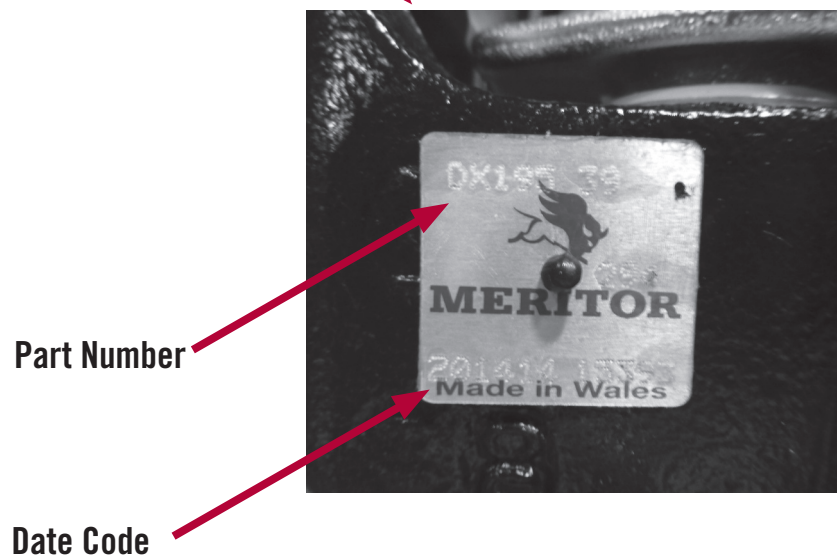
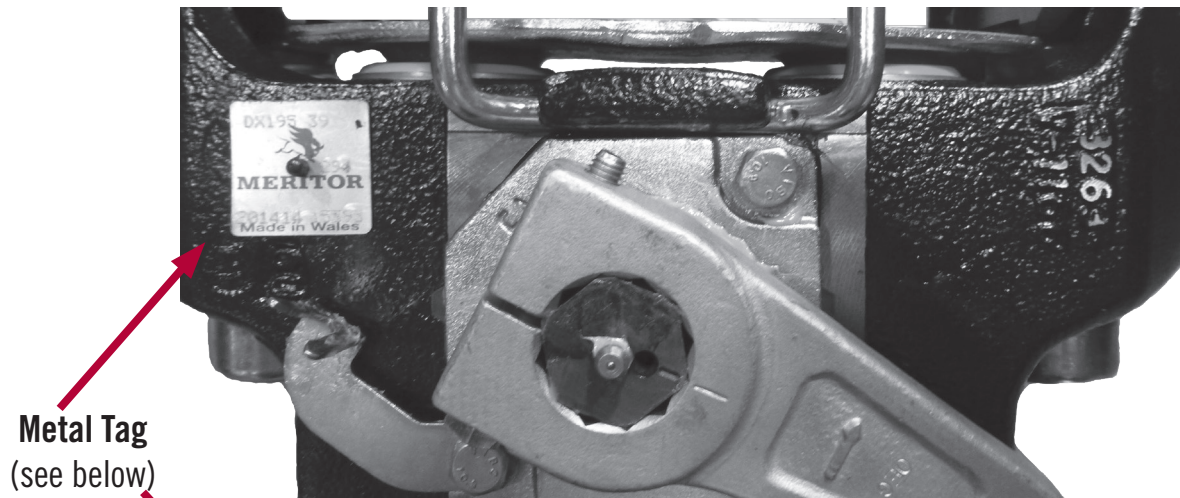


Powershaft Number

Used to identify
Right Hand – last 4 digits 5234 or
Left Hand – last 4 digits 5233

Caliper Casting Number

LOCATING PART NUMBER AND SERIAL NUMBER DX SERIES



LOCATING PART NUMBER AND SERIAL NUMBER EX+ SERIES

1. Remove Protective Cap (item 11 in exploded views in subsequent pages)
2. To left of bolt is Part Number engraved in metal plate
3. To right of bolt is Serial Number engraved in metal plate
4. **Protective Cap must be replaced.**

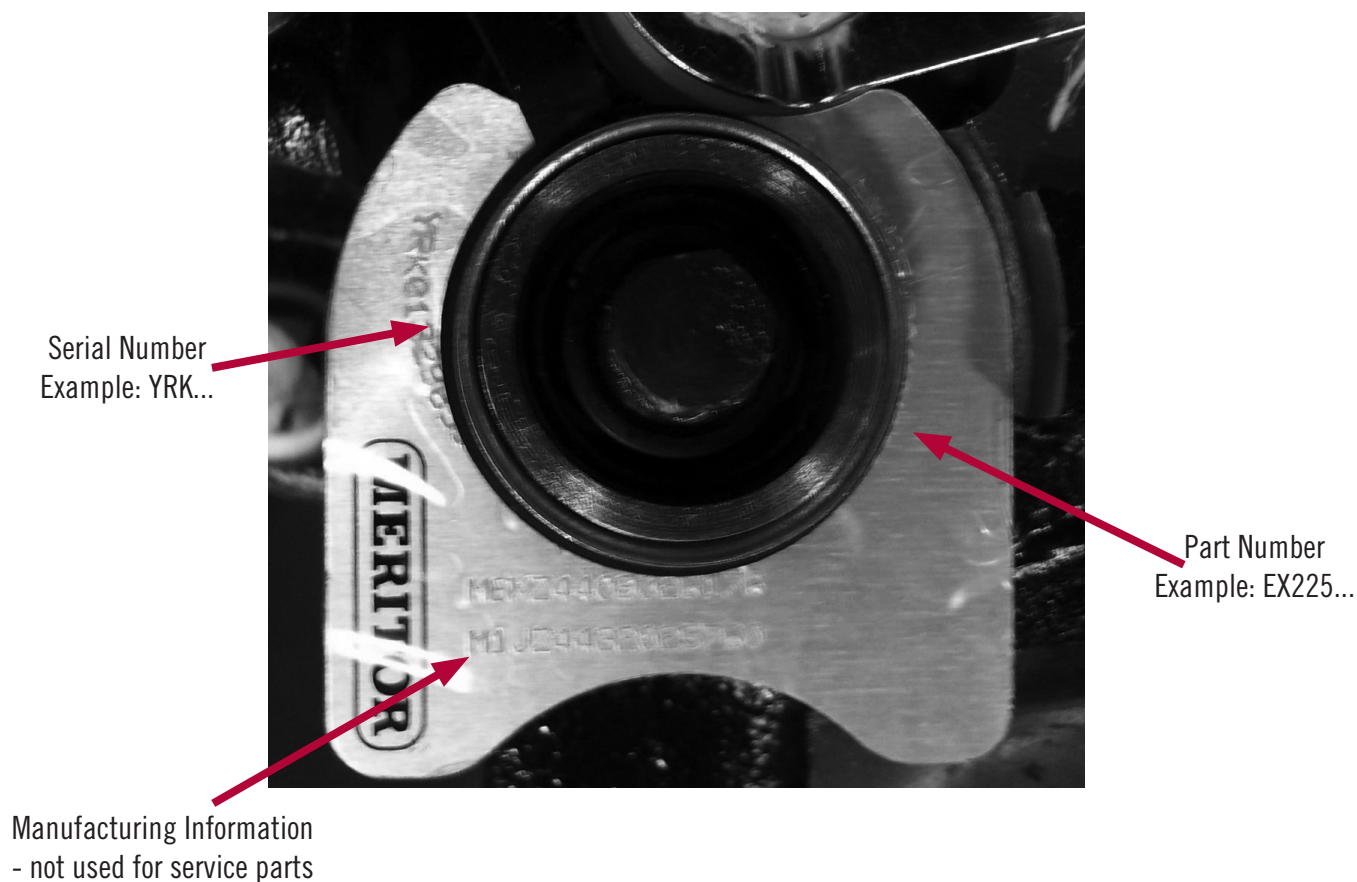
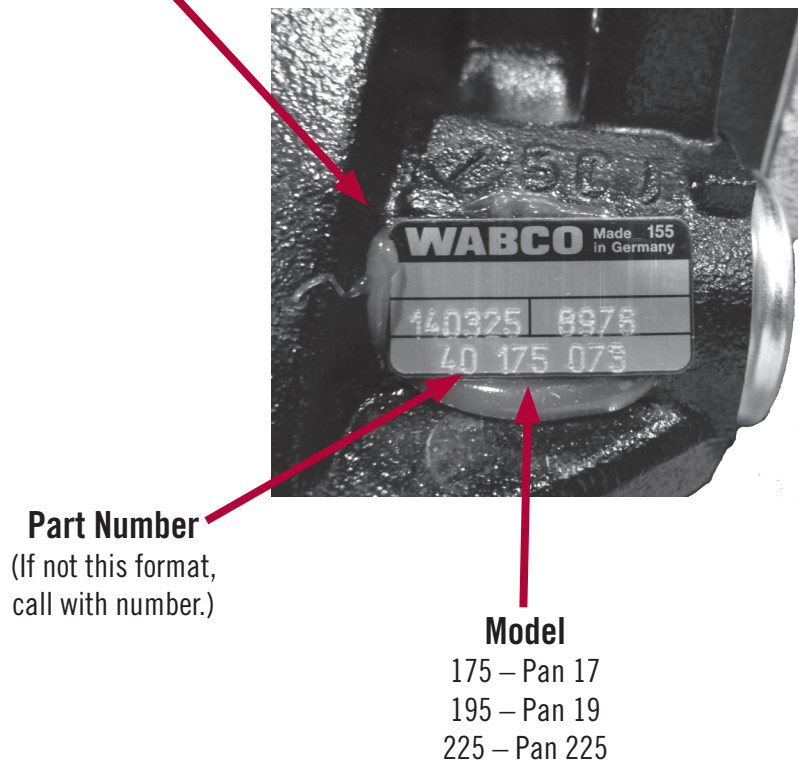
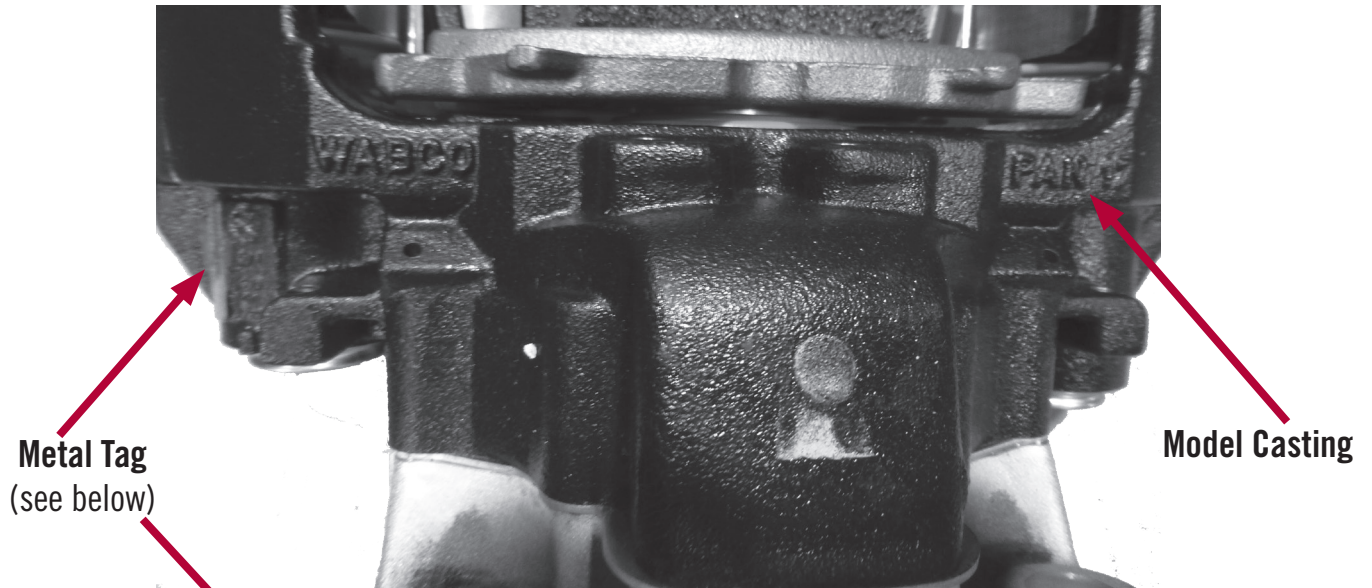
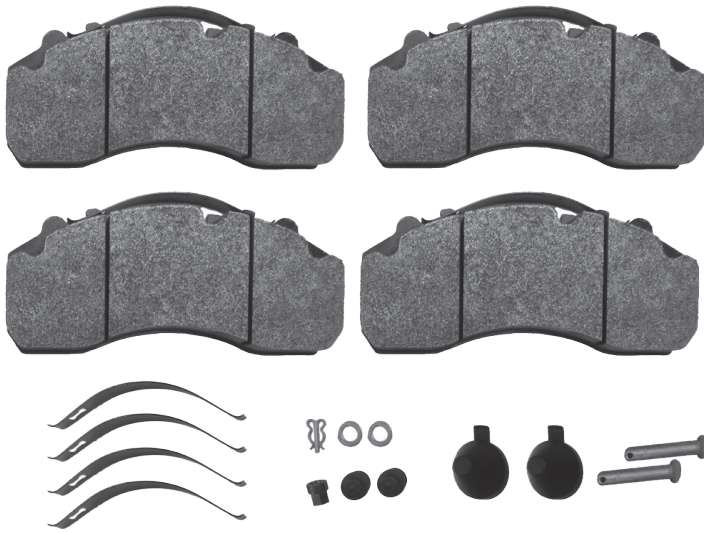


Image is shown with Protective Cap already removed.

LOCATING PART NUMBER AND SERIAL NUMBER PAN™ SERIES

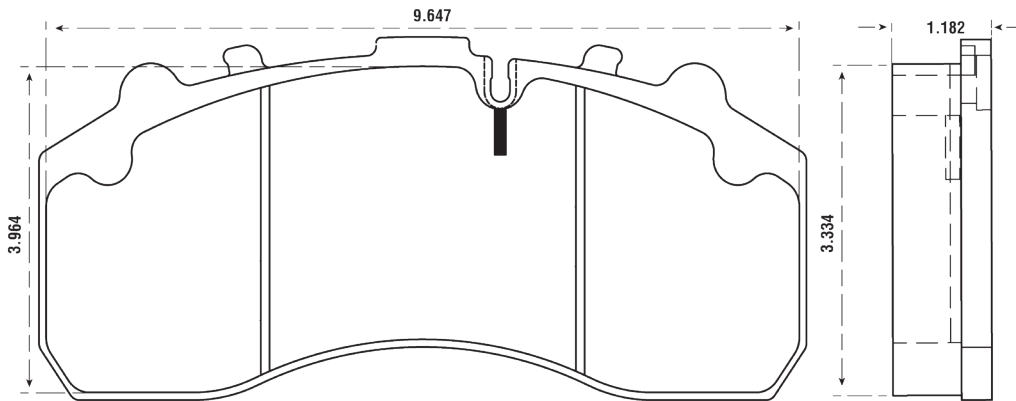


BRAKE PADS

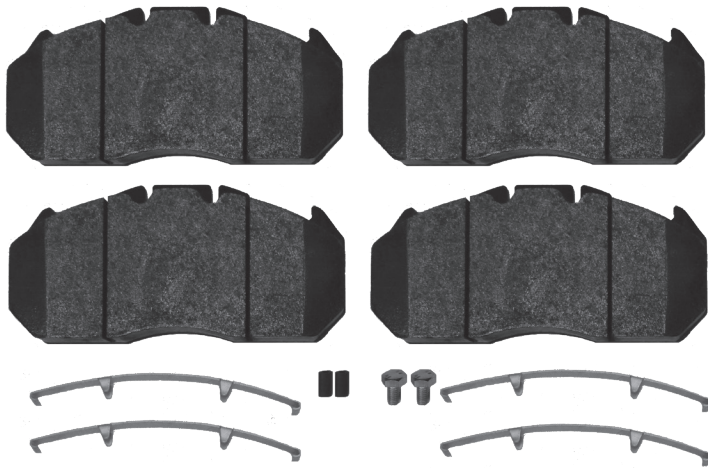


Part No.	MMD1203AF	with pad hardware
Application	Knorr-Bremse	12K-20K, Caliper SB7
FMSI	8323-D1203	

Material Features and Application Information		
Material	Features	Application
MMD1203AF	Low Resin Formula Positive mold process Moderate torque Good wear features	Used in All

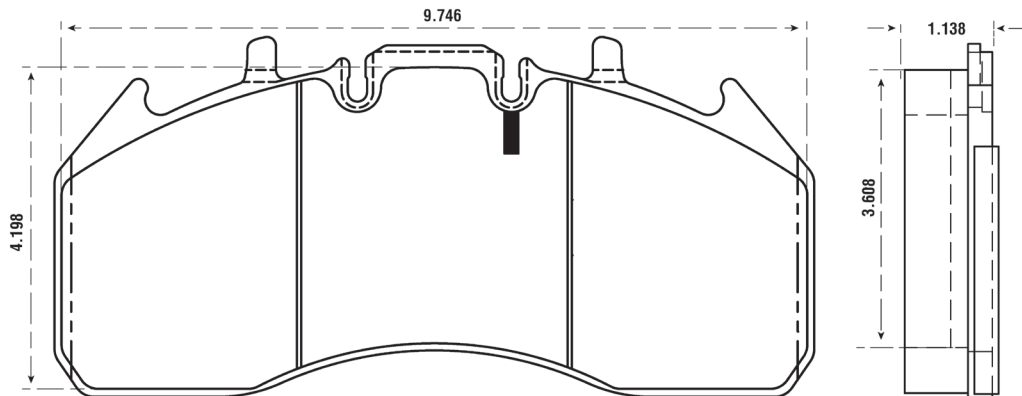


BRAKE PADS

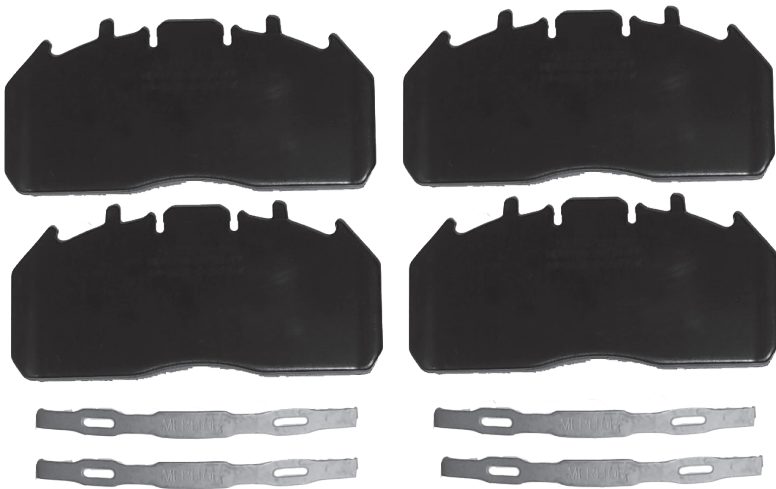


Genuine Part No. with pad hardware	MDP5060	
Part No.	MMD1310AF	with pad hardware
Application	Meritor Elsa 2	
FMSI	8425-D1310	

Material Features and Application Information		
Material	Features	Application
MDP5060	Genuine production	Used in Coach/Transit
MMD130AF	Low Resin Formula Positive mold process Moderate torque Good wear features	Used in All

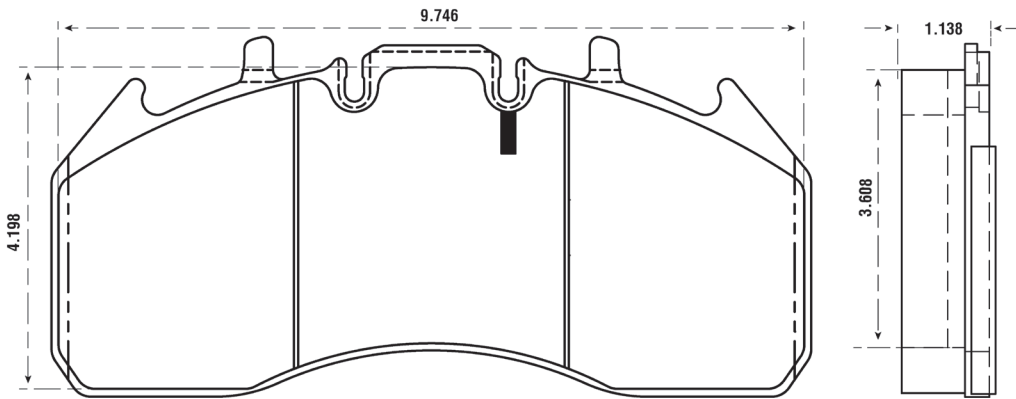


BRAKE PADS

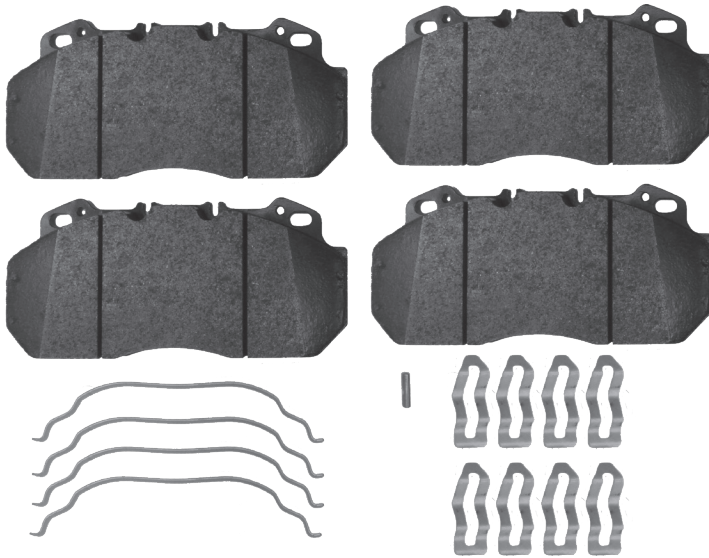


Genuine No. with pad hardware	KIT2252H2BA	MA703
	KIT2252H2CD	MA761
	KIT2252H2CE	MA721
	KIT2252H2DA	MA741
Part No.	MMD1311AF	with pad hardware
Application	Meritor EX225H2	
FMSI	8426-D1311	

Material Features and Application Information		
Material	Features	Application
MA703	High stops; High mileage	Used in more Transit or Refuse industry
MA721	Genuine	Used in Coach/Transit
MA741	High performance; High rotor wear	Used in Fire and Emergency
MMD1311AF	Low Resin Formula Positive mold process Moderate torque Good wear features	Used in All

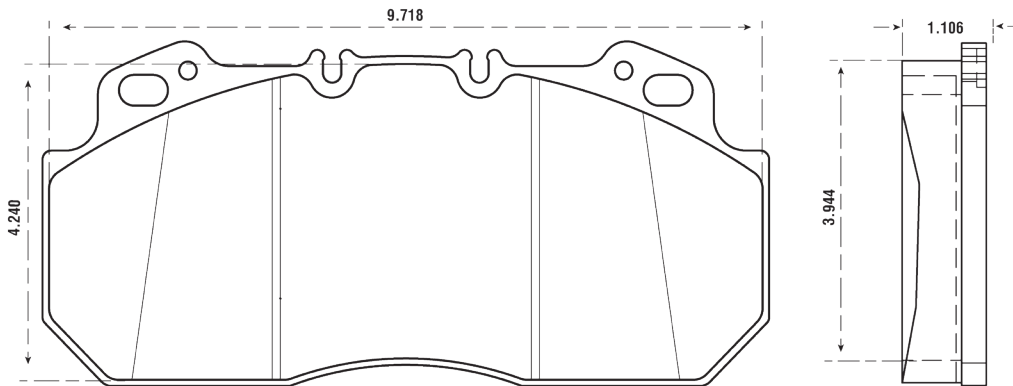


BRAKE PADS

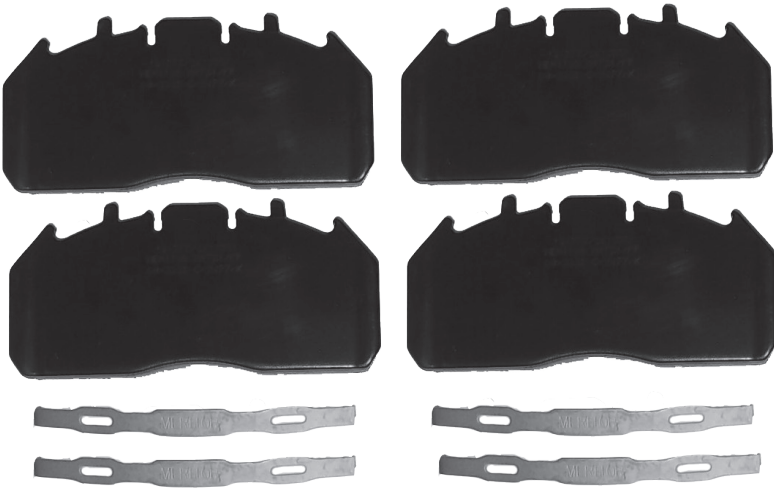


Genuine No. with pad hardware	68932068NZP	
Part No.	MMD1312AF	with pad hardware
Application	Meritor D-Lisa	
FMSI	8427-D1312	

Material Features and Application Information		
Material	Features	Application
68932068NZP	Genuine Production	Used in Coach/Transit
MMD1312AF	Low Resin Formula Positive mold process Moderate torque Good wear features	Used in All

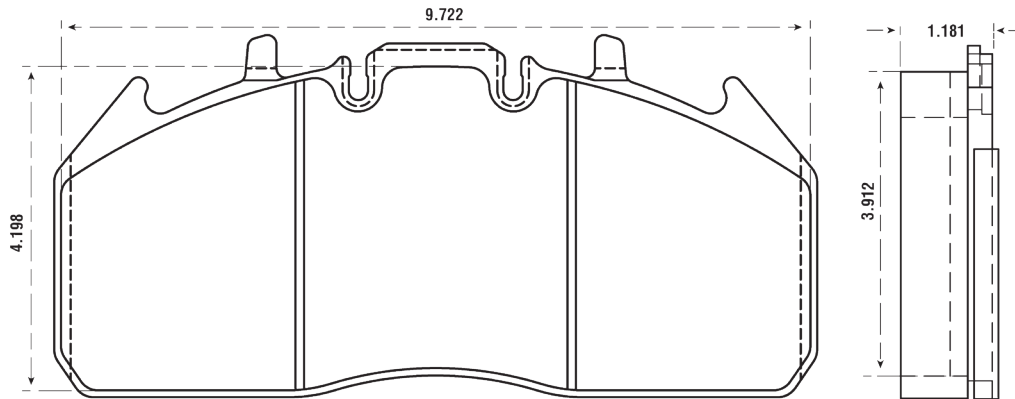


BRAKE PADS

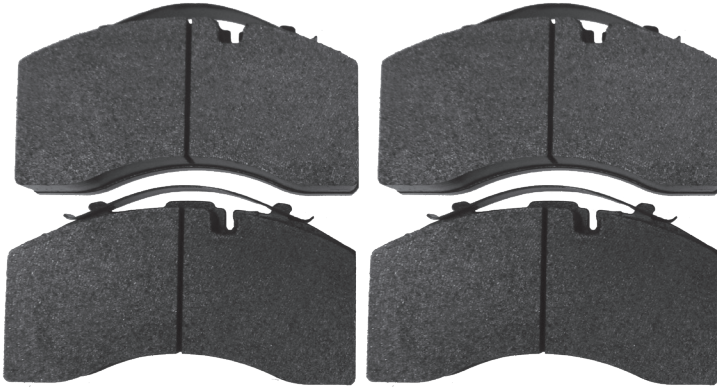


Genuine No. with pad hardware	KIT2252H3CE	MA721 (currently not offered)
Part No.	MMD1323AF	with pad hardware
Application	Meritor EX225H3	
FMSI	8435-D1323	

Material Features and Application Information		
Material	Features	Application
MA721	Genuine	Used in Coach/Transit
MD1323AF	Low Resin Formula Positive mold process Moderate torque Good wear features	Used in All

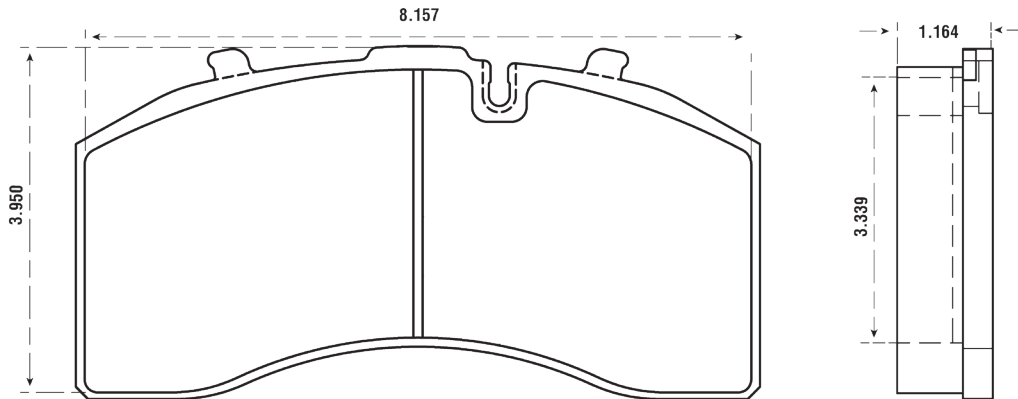


BRAKE PADS

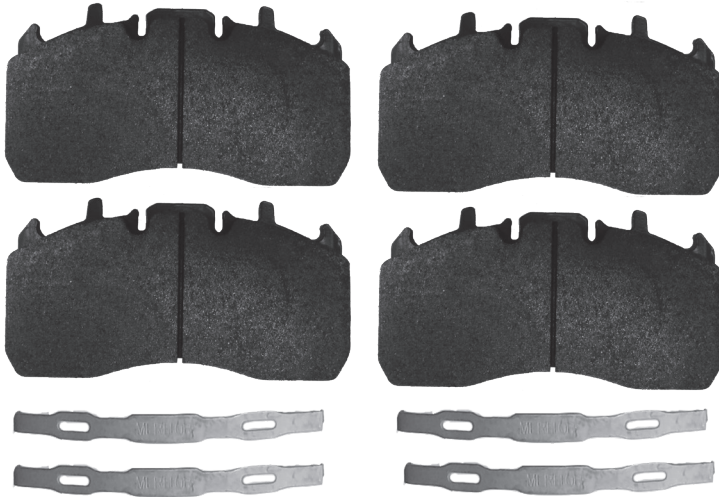


Part No.	MMD1369AF	with pad hardware
Application	Knorr-Bremse/ Bendix	ADB22X, SK7, SN7
FMSI	8479-D1369	

Material Features and Application Information		
Material	Features	Application
MMD1369AF	Low Resin Formula Positive mold process Moderate torque Good wear features	Used in All

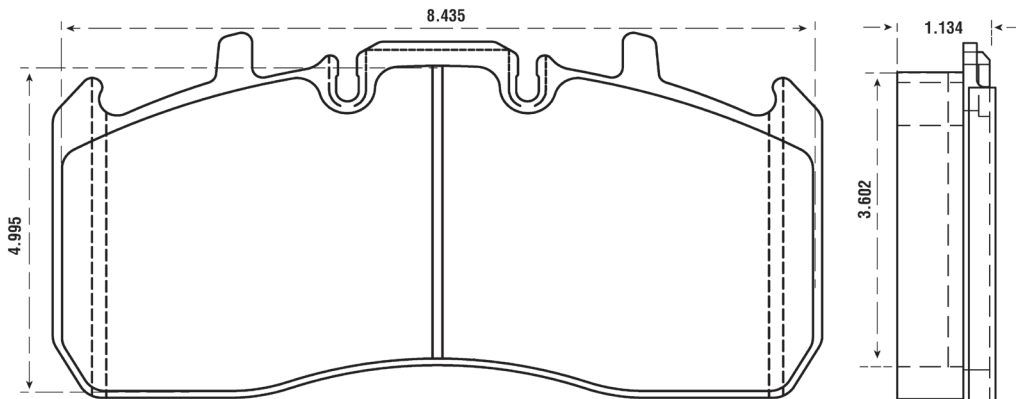


BRAKE PADS

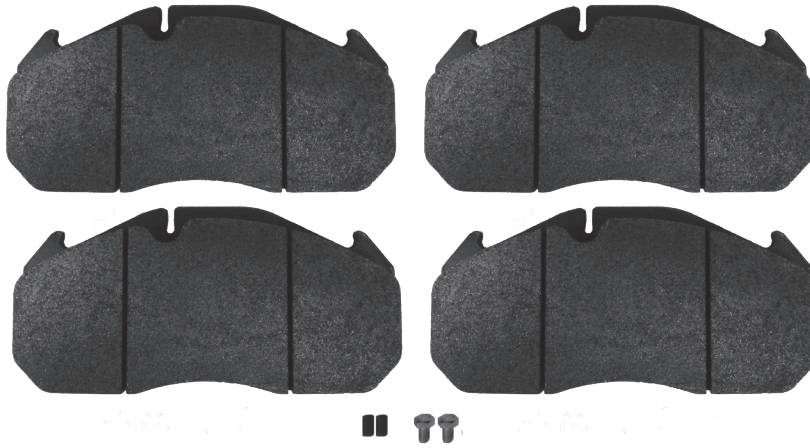


Genuine No. with pad hardware	KIT2252L2DA	MA741
	KIT2252L2CD	MA761
Part No.	MMD1370AF	with pad hardware
Application	Meritor EX225L2	
FMSI	8435-D1323	

Material Features and Application Information		
Material	Features	Application
MA741	High stops; High mileage	Used in more Transit or Refuse industry
MA761	Low stops; High mileage	Used in Linehaul
MMD1370AF	Low Resin Formula Positive mold process Moderate torque Good wear features	Used in All

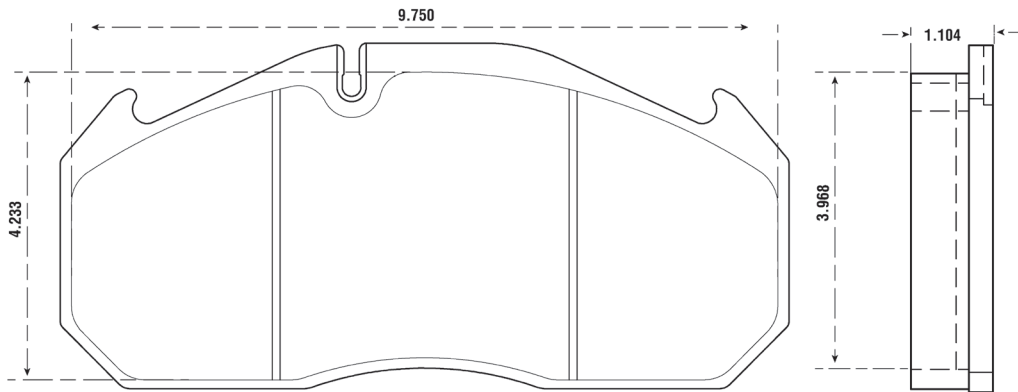


BRAKE PADS

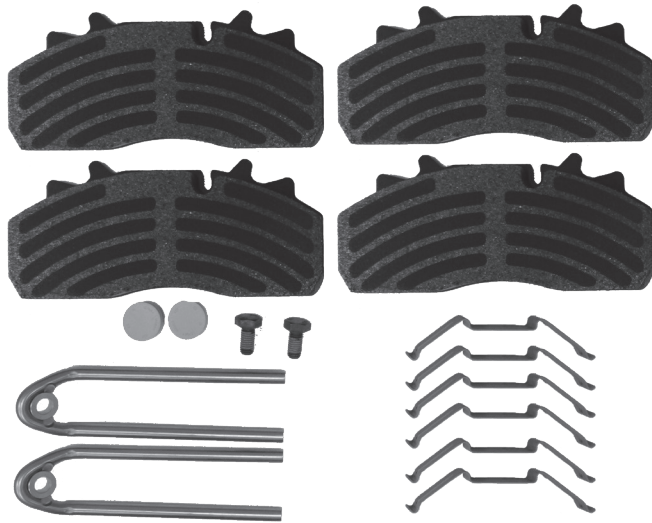


Genuine No. with pad hardware	MDP5110	
Part No.	MMD1407AF	with pad hardware
Application	Meritor D-Elsa 1	
FMSI	8515-D1407	

Material Features and Application Information		
Material	Features	Application
MDP5110	OE Genuine	
MMD1407AF	Low Resin Formula Positive mold process Moderate torque Good wear features	Used in All

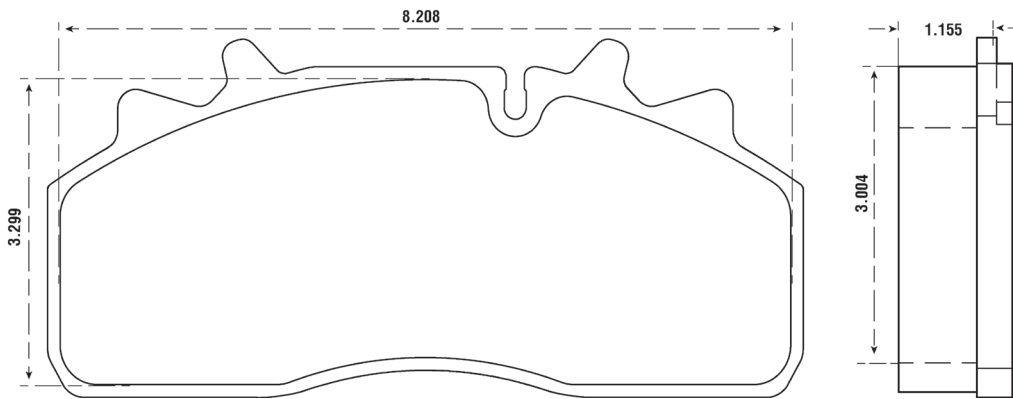


BRAKE PADS

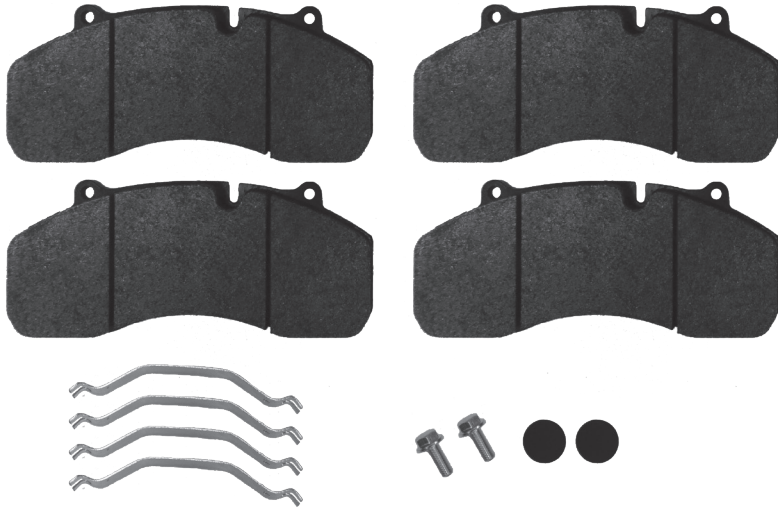


Genuine No. with pad hardware	12-999-737VT
Part No.	MMD1438AF with pad hardware
Application	Wabco Pan 19
FMSI	8556-D1438

Material Features and Application Information		
Material	Features	Application
12-999-737VT	Genuine Production Friction and Hardware	Used in Trailer
MMD1438AF	Low Resin Formula Positive mold process Moderate torque Good wear features	

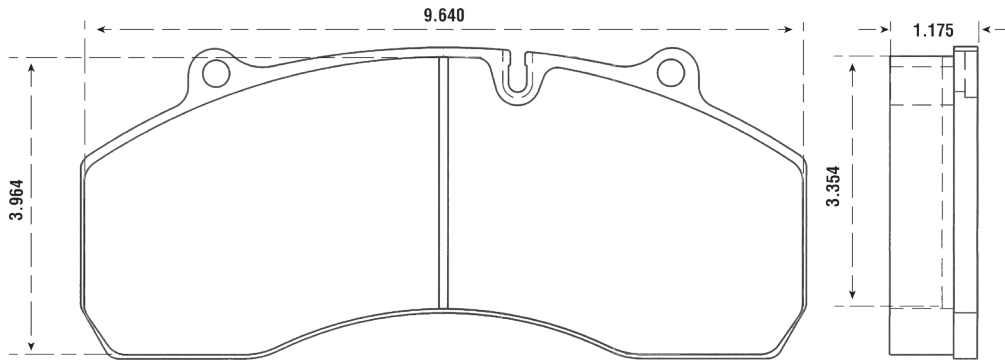


BRAKE PADS

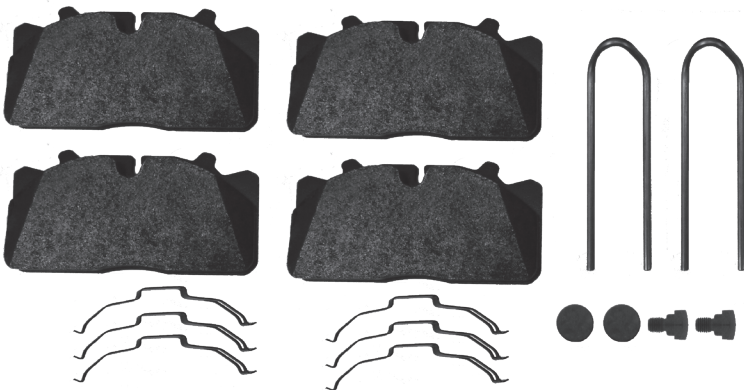


Part No.	MMD1441AF	with pad hardware
Application	Kenworth	2004-2010
	Bendix ESD225	Front and Rear
FMSI	8577-D1441	

Material Features and Application Information		
Material	Features	Application
MMD1441AF	Low Resin Formula Positive mold process Moderate torque Good wear features	

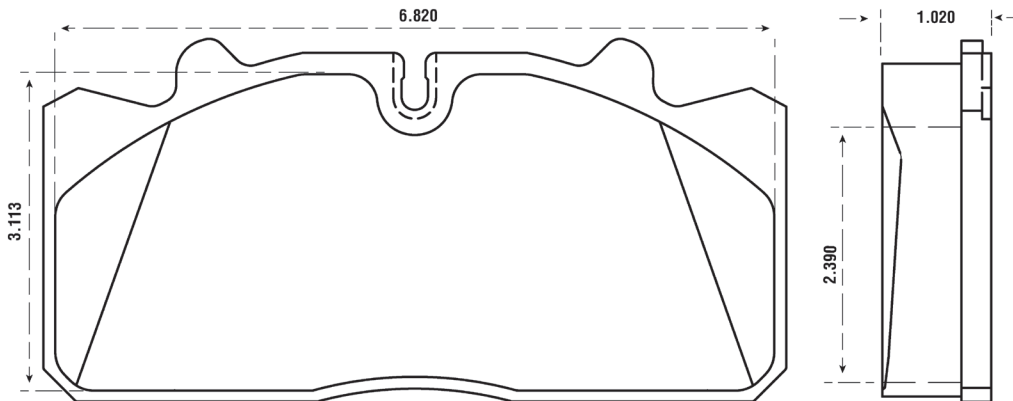


BRAKE PADS

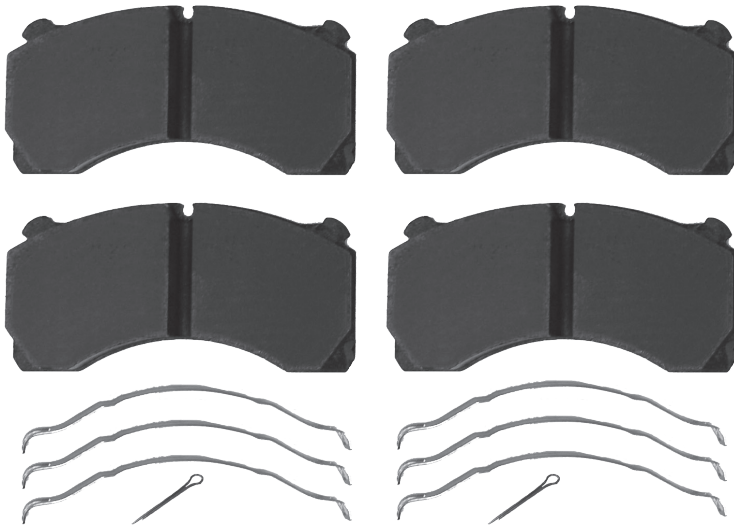


Genuine No. with pad hardware	12-999-703VT
Part No.	MMD1518AF with pad hardware
Application	Wabco Pan 17
FMSI	8727-D1518

Material Features and Application Information		
Material	Features	Application
12-999-703VT	Genuine front and rear	2002 Mack with Freedom 17" wheels
MMD1518AF	Low Resin Formula Positive mold process Moderate torque Good wear features	Used in All

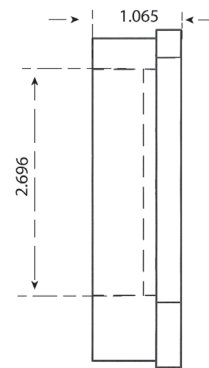
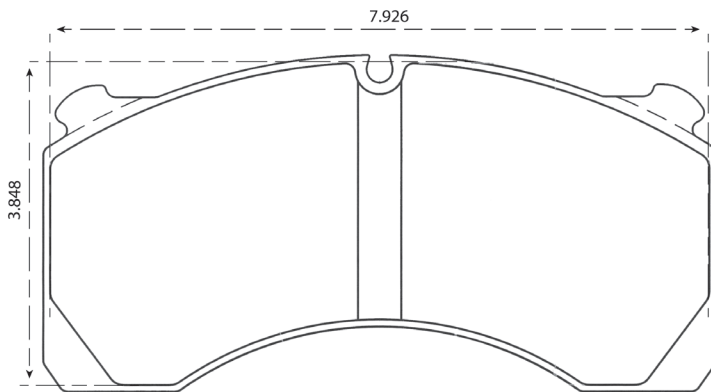


BRAKE PADS



Genuine No. with pad hardware	KIT195020	MA705
	KIT195021	MA721
Part No.	MMD1525AF	with pad hardware
Application	Meritor DX195	
FMSI	8733-D1525	

Material Features and Application Information		
Material	Features	Application
KIT195020	Genuine MA705	Used in Coach/Transit
KIT195021	Genuine MA721	
MMD1525AF	Low Resin Formula Positive mold process Moderate torque Good wear features	Used in All

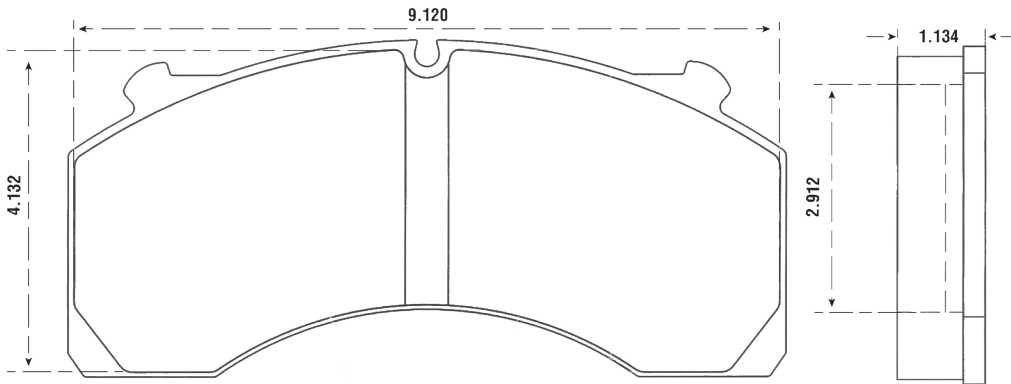


BRAKE PADS



Genuine No.	KIT225020	MA705
with pad hardware	KIT225021	MA721
Part No.	MMD1526AF	with pad hardware
Application	Meritor DX225	
FMSI	8734-D1526	

Material Features and Application Information		
Material	Features	Application
MA705 MA721	Genuine Front and Rear	Used in Coach/Transit
MMD1526AF	Low Resin Formula Positive mold process Moderate torque Good wear features	Used in All

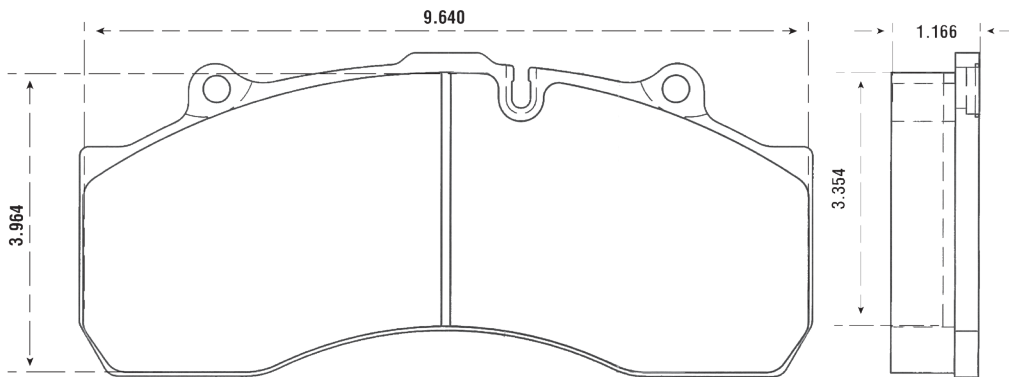


BRAKE PADS



Part No.	MMD1527AF	with pad hardware
Application	Haldex® DB22	
FMSI	8735-D1527	

Material Features and Application Information		
Material	Features	Application
MMD1527AF	Low Resin Formula Positive mold process Moderate torque Good wear features	Used in Trailer

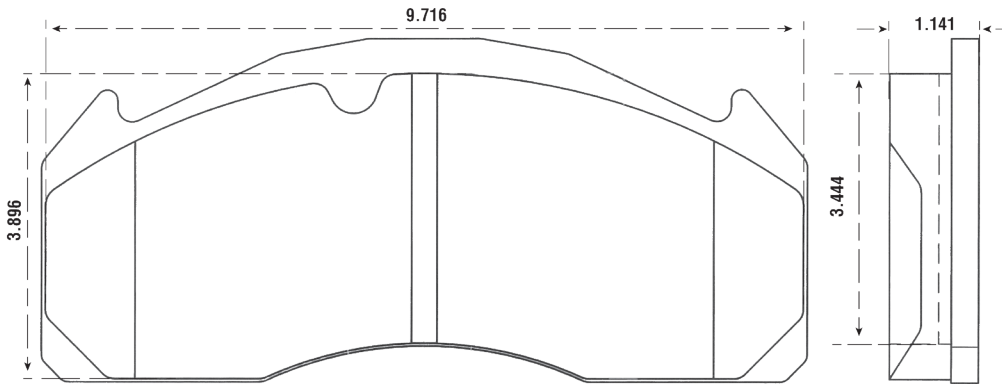


BRAKE PADS



Genuine No. with pad hardware	MDP5057	NLA - No genuine replacement issued
Part No.	MMD1560AF	with pad hardware
Application	Meritor D Duco	
FMSI	8771-D1560	

Material Features and Application Information		
Material	Features	Application
MMD1560AF	Low Resin Formula Positive mold process Moderate torque Good wear features	Used in All

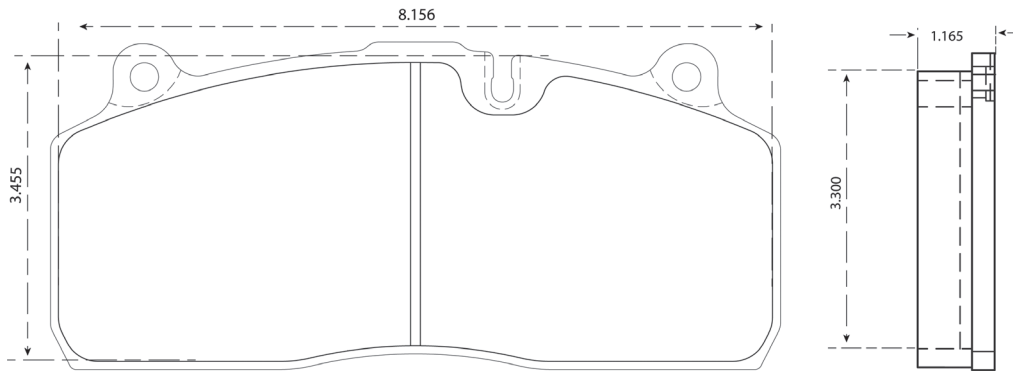


BRAKE PADS



Part No.	MMD1583AF	with pad hardware
Application	Haldex DB22LT	
FMSI	8795-D1583	

Material Features and Application Information		
Material	Features	Application
MMD1583AF	Low Resin Formula Positive mold process Moderate torque Good wear features	Used in All

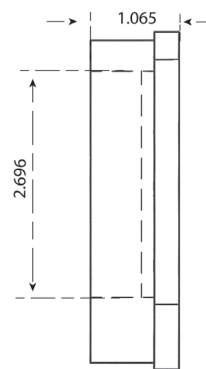
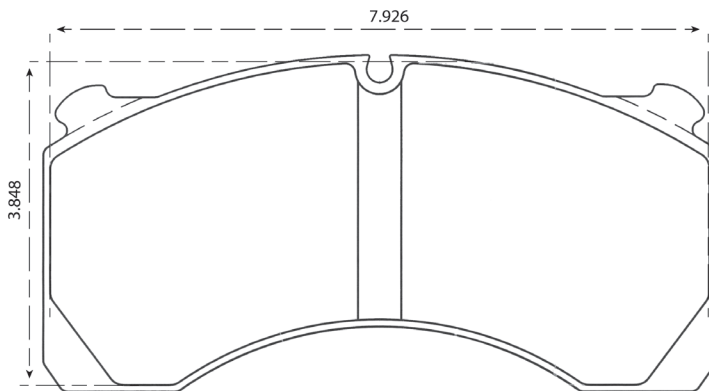


BRAKE PADS



Genuine No. with pad hardware	12-999-796
Part No.	MMDWP22AF with pad hardware
Application	Wabco Pan 22
FMSI	N/A

Material Features and Application Information		
Material	Features	Application
12-999-796	Genuine	Used in Coach/Transit
MMDWP22AF	Low Resin Formula Positive mold process Moderate torque Good wear features	Used in All

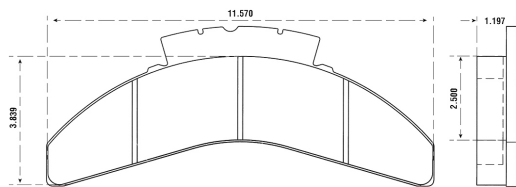


For Air Disc Brake Assemblies quick reference please
 visit meritor.com/LOD
 and request or download **SP-1458 Meritor ALLFIT Air Disc Brake Pads**

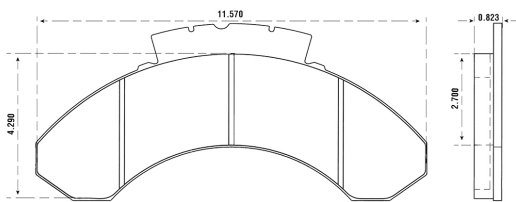
MERITOR® ALLFIT AIR DISC BRAKE PADS



FMSI D268 Meritor 1560

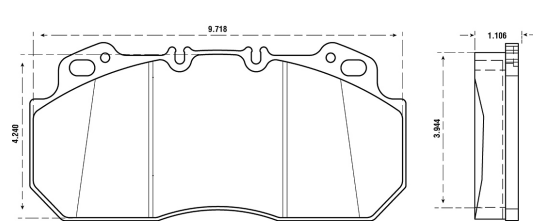


Inner

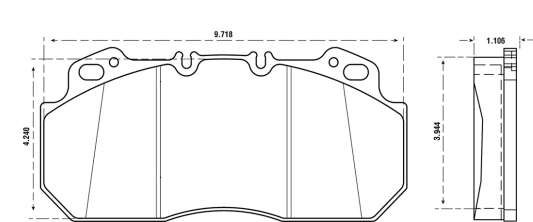


Outer

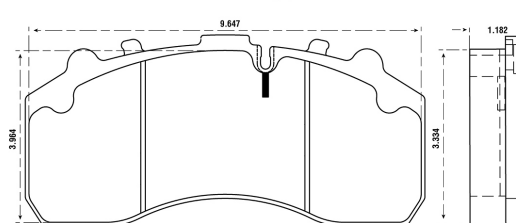
FMSI D1311 Meritor EX225



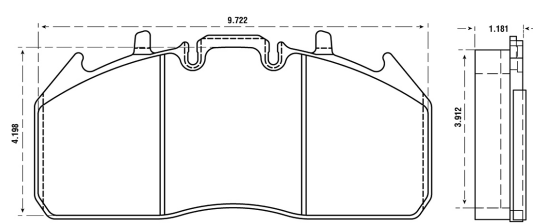
FMSI D1312 Meritor D-Lisa



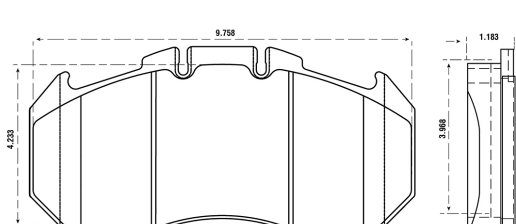
**FMSI D1203 Knorr Bremse
12K-20K Applications**



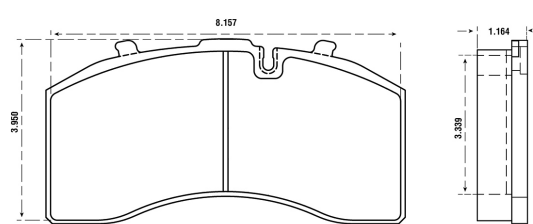
FMSI D1323 Meritor EX225 H2/H3



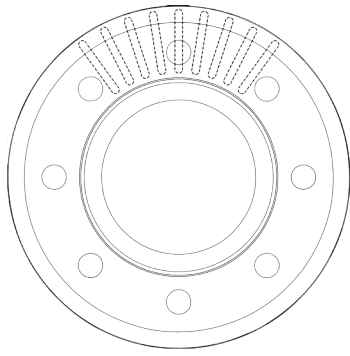
FMSI D1310 Meritor - Lucas D-Elsa 2



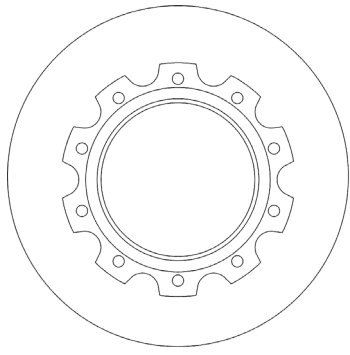
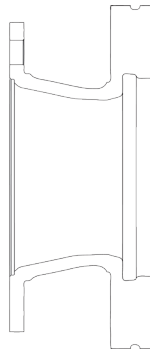
FMSI D1369 Knorr Bremse SB6000



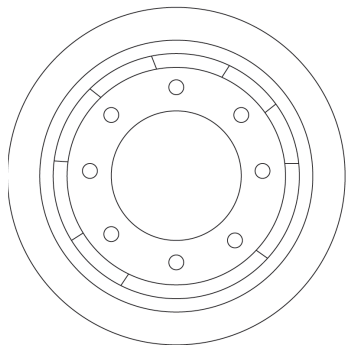
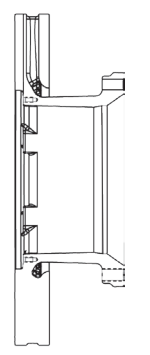
ROTORS



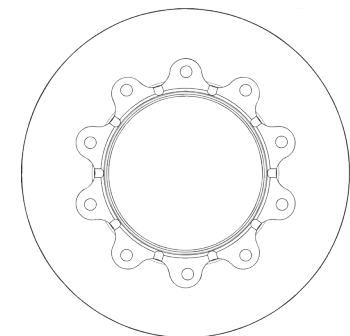
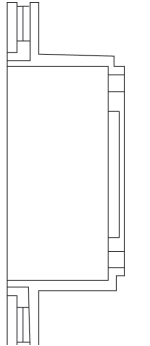
Style 1



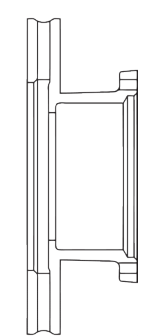
Style 2



Style 3



Style 4



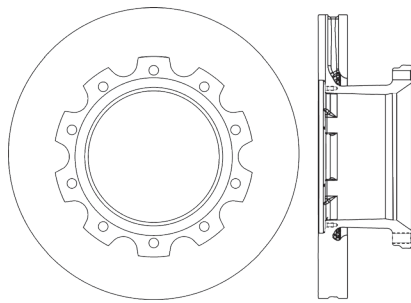
PART #	DUCTILE PART #	OUTSIDE DISC DIAMETER	DISC THICKNESS	
			New	Minimum
3218-A-131	3218-S-1007	15.2656"		
3218-H-138	3218-N-1054	15.2656"		
3218-K-167	3218-J-1076	15.2656"		
3218-K-1415	N/A	14.8819"		
3218-N-1366	N/A	378mm	45mm	37mm
3218-Z-156	3218-U-1009	15.2656"		
3218-Z-1404	N/A	17.1000"	1.77"	1.46"
N/A	3218-P-1186	15.2656"		
68326014	N/A	434mm	45mm	37mm
23-123642-002	N/A	434mm	45mm	37mm
23-123647-002	N/A	434mm	45mm	37mm
23-123725-002		17.087"		
N/A	3218-Q-1447	430mm	45mm	37mm

ROTORS

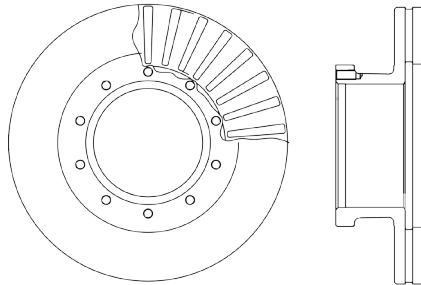
OVER ALL ROTOR DEPTH	PILOT DIAMETER	BOLT CIRCLE	BOLT HOLES		FLANGE THICKNESS	ADB MODEL / APPLICATION	STYLE
5.4062"	9.4531	11.2500"	0.8125"	10	0.5937"	ADB 1560	1
5.3281"	10.5000"	12.7500"	0.7969"	6	0.5937"	ADB 1560	1
6.1250"	8.7500"	11.2500"	0.8125"	10	0.5937"	ADB 1560	1
6.1417"	8.5039"	10.8267"	1.0630"	8		DX195	1
156.2mm	8.5039"	285.75mm	31.75mm	10	15.75mm	DX195 DX225	1
5.7656"	9.4531	11.2500"	0.8125"	10	0.5937"	ADB 1560	1
5.65"	7.64"	9.82"	5/8-18UNF	10	1.19"		2
5.4062"	9.4531"	10.8125"	0.8125"	8	0.5937"	ADB 1560	1
131mm	135.25mm	168mm 178mm	18.85mm M16x2.0	12 4	22.7mm	ADB EX225	3
131mm	215.9mm	266.7mm	5/8-18UNF	10	29.21	ADB EX225	2
143.5mm	194mm	249.5mm	M16x2-6	10		ADB EX225	2
5.6441"	8.50"	9.82"	5/8-18UNF	8	1.15"		2
179.7mm	194.1mm	249.5mm	5/8"-18	10	30.2mm	Knorr / Bendix	3

**Styles are representations, and not actual drawings, of specific product.
Check specs carefully when checking for the appropriate rotor.**

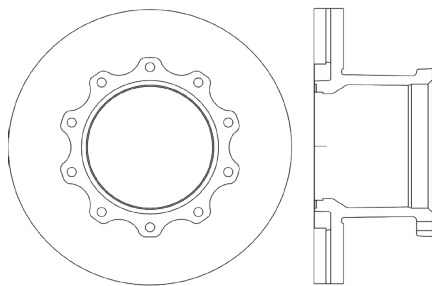
ROTORS — ALLFIT



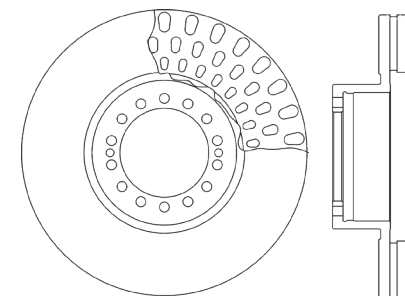
Style 2



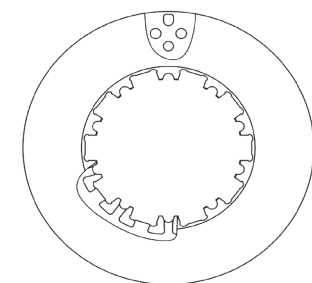
Style 5



Style 6



Style 7



Style 8

PART NO.	OE #'S	OUTSIDE DISC DIAMETER	DISC THICKNESS		OVERALL ROTOR DEPTH
			New	Minimum	
M44D6206	R6206M	430mm	45mm	41.4mm	150mm
M44D71601	CT832, Pan 19	376.94mm	45mm	39mm	163.58mm
M44D76602A	10721062 / 10977055 / 68323736	433.7mm	45mm	37mm	135mm
M44D76603	II37415N	434.34mm	45mm	37mm	135.9mm
M44D76604	K021959	434.34mm	45mm	37mm	179.9mm
M44D76605	N508030009	438mm	45mm	37mm	134.87mm
M44D76610	11047678	430mm	45mm	37mm	131mm
M44D76611	920924972	430mm	45mm	37mm	131mm
M44D76612	K021958	430mm	45mm	39mm	131mm
M44D76613	10016195 / 10018609 / CT807	430mm	45mm	39mm	150mm
M44D76616		432mm	45mm	39mm	135mm
M44D76617	802082	430mm	45mm	37mm	150mm
M44D76618	802081	430mm	45mm	37mm	138.3mm
M44D76621	N508030038 / N508030040	434.34mm	45mm	39mm	130.05mm
M44D76641	802669	431.29mm	45mm	39mm	115.3mm
M44D76642	K034497	430mm	45mm	37mm	104.7mm
M44D76690	20428193 / 85103803 / 85110496	434mm	45mm	37mm	45mm
M44D76691	3988839 / 3092710 / 8551042	434mm	45mm	37mm	45mm
M44D76692	802569	432mm	45mm	37mm	45mm
M44D75180	CT826, Pan 17	325.12mm	34mm	28.25mm	148.59mm



M44D692 needed for Style 8 (see page 33)

ROTORS — ALLFIT

PILOT DIAMETER	BOLT CIRCLE	BOLT HOLES		FLANGE THICKNESS	ABS	WEIGHT LBS	ADB MODEL / APPLICATION	STYLE
		Size	Number					
219.71mm	249.5mm	0.625 - 11	10				Haldex DB22 and DB22LT	
219.96mm	249.43mm	M16 - 2	10		Cast Teeth	61	Wabco Pan 19	6
194mm	220mm	M16-1.5	10	30mm		80	Van Hool Drive Axle	U
194mm	220mm	M16 - 1.5	10	28.9mm	No	79	Prevost Front and Tag Bendix Knorr SB-7 / SN-7	5
194mm	250mm	0.625 - 18	10	24.1mm	Cast Teeth	96	Prevost Drive Bendix Knorr SB-7 / SN-7	6
200mm	235mm	M16-1.5	10	28mm		78	Van Hool Front & Tag	U
200mm	235mm	M16-1.5	10	25mm		78	Van Hool New Style Drive Axle	U
230mm	235mm	M16-1.5	10	20mm		74	Van Hool "A" Drive Axle, Temsa	U
203mm	235mm	M16 - 1.5	10	22mm	No	76	NOVA Bus / BCI Drice Axle Bendix Knorr SB-7 / SN-7	6
220mm	249.5mm	M16 - 2	10	23.2mm	Cast Teeth	71	Wabco Pan 22	2
189mm	235mm	M16 - 1.5	10	28.5mm	No	80		2
220mm	250mm	0.625 - 11	10	24.1mm			Bendix/Knorr ADB22X / ADB225	
220mm	250mm	0.625 - 11	10	24.4mm			Bendix/Knorr ADB22X / ADB225	
130.81mm	167.89mm	.75	12		No	77	Vanhool Front and Tag	7
135mm	165mm	15mm	14	15mm	No	78	Prevost Front and Tag Bendix Knorr SB-7 / SN-7	7
135mm	165mm	14.75mm	14	15mm			Bendix/Knorr SN-7	
220mm	N/A	24 Spline		N/A		57	Volvo 9700 Vented	Flat
220mm	N/A	24 Spline		N/A		76	Volvo 9700 Solid	Flat
N/A	N/A	N/A	N/A	N/A			ABB22X	
172.97mm	196.09mm	M14 - 2	8	12.5mm	Cast Teeth	42	Wabco Pan 17	6

**Styles are representations, and not actual drawings, of specific product.
Check specs carefully when checking for the appropriate rotor.**

hot high output technology™



- Double Diaphragm Technology
- More Powerful, Higher Output
- Guaranteed Seal Protection for Disk Brake Actuators
- Larger Size Range
- Lighter, Shorter Profile
- See catalog **PB-1404 Meritor Spring Brake Chambers** for additional information

Part Number	Description	Stroke	Clevis
TANDEM CHAMBERS FOR AIR DISC BRAKE			
1616HTLD2-3627	For 1616 piston or 1624 double diaphragm	2-1/2"	Round Tip
1816HTND2-3669	For 1816 piston or 1824 double diaphragm	2-1/2"	Round Tip
2016HTND2-3710	For 2016 piston or 2024 double diaphragm	2-1/2"	Round Tip
1824HTND2-3628	For 1824 piston or 1830 double diaphragm	2-1/2"	Round Tip
2024HTND2-3626	For 2024 piston or 2030 double diaphragm	2-1/2"	Round Tip
2424HTND2-3629	For 2424 piston or 2430 double diaphragm	2-1/2"	Round Tip

SERVICE CHAMBERS FOR AIR DISC BRAKE			
20HSCND2-3630	Type 20	2-1/2"	Round Tip
22HSCND2-3631	Type 22	2-1/2"	Round Tip
24HSCND2-3632	Type 24	2-1/2"	Round Tip

NON-STOCK H.O.T. PRODUCT AVAILABLE AVAILABLE UPON REQUEST			
1424HTLD76-3708	20SCLD65H-2882	22HSCLD65-2000	2430TND65H-3510
1824HTND2-3498	22HSCLD65-1618	22SCLD65H-2912	24HSCLD2-2707
2424HTLD65-1620	2424HTLD65-3705	22SCND65H-3060	24SCLD2H-3164
2424HTLD65-3703	2424HTLD65-3706	24HSCLD2-2704	24SCLD65H-2883
2424HTLD65-3704	2424TND65H-3511	2430TLD2H-2718	2730HTN65-3474
14SCLD2H-3066	2430HTN65-3475	2430TLD2H-2719	3030TL2H
20HSCLD2-3701	2430TLD2H-1738	2430TLD65H-2885	3036HTL3
20SCLD2H-2817	22HSCLD65-1619	2430TLD65H-3137	3036TN2H-3523

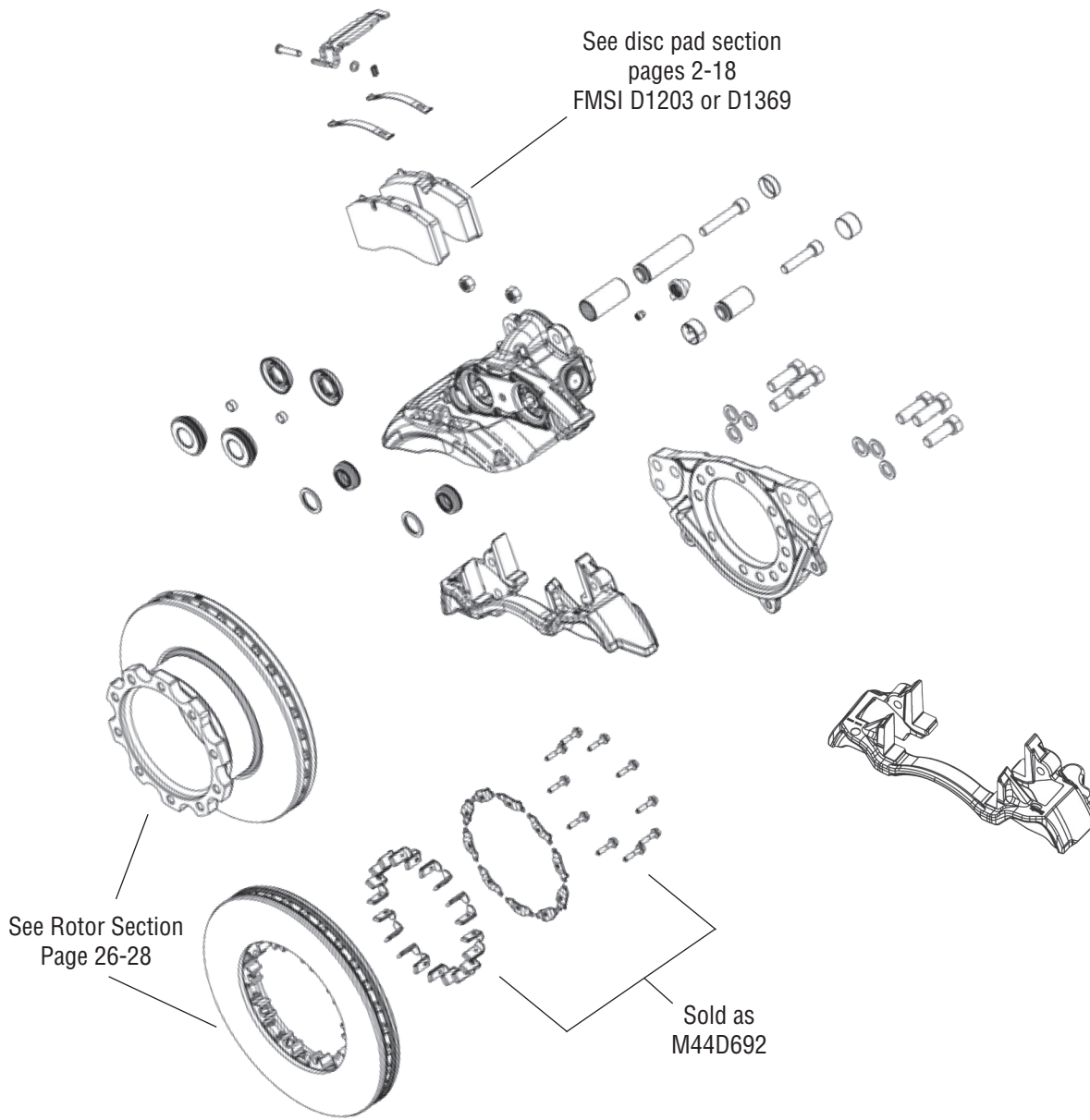
For a complete listing of spring brake chambers
please visit meritor.com/LOD
and request or download catalog
PB-1404 Meritor Spring Brake Chambers

MERITOR® SPRING BRAKE CHAMBERS

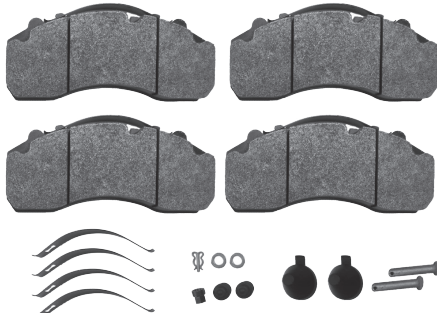


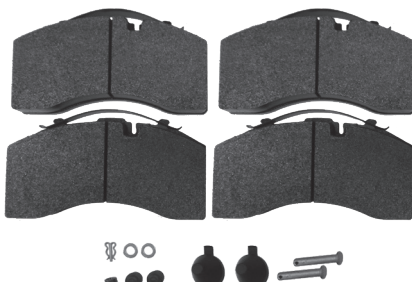
PB-1404


BENDIX/KNORR-BREMSE AIR DISC BRAKE MODEL ADB22X/SM7/SB7



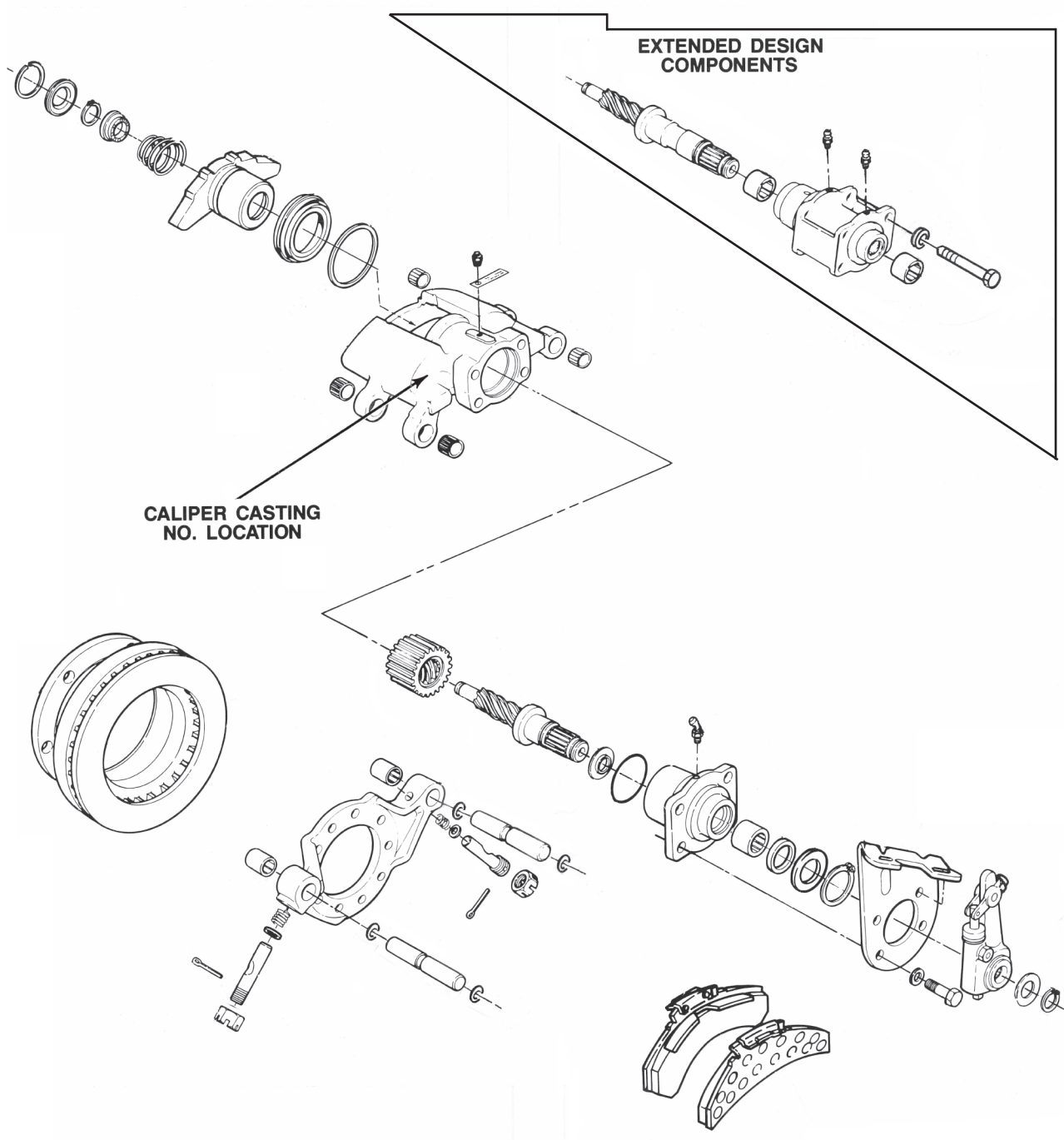
BENDIX/KNORR-BREMSE AIR DISC BRAKE MODEL ADB22X/ SM7/

MMD1203AF	Item	Qty	Part No.	Description
	1	4	Not Sold Separately	Disc Pads
	2	4		Anti-Rattle Clips
	3	1		Caliper Kit Hardware

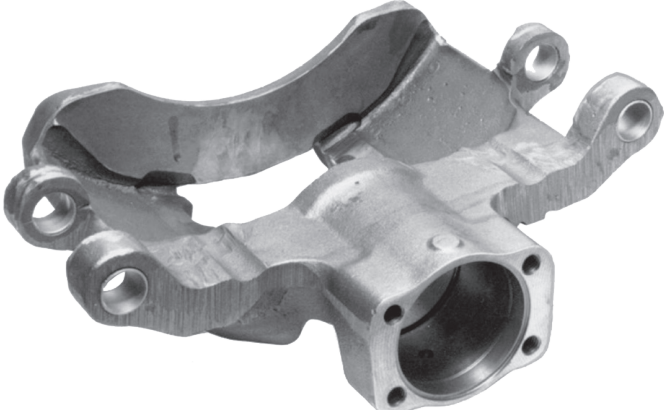
MMD1369AF	Item	Qty	Part No.	Description
	1	4	Not Sold Separately	Disc Pads
	2	4		Anti-Rattle Clips
	3	1		Caliper Kit Hardware

M44D692	Item	Qty	Part No.	Description
	1	10	Not Sold Separately	Bolt
	2	10		Washer
	3	20		Clip


DURAMASTER AIR DISC BRAKE MODEL ADB-1560



DURAMASTER AIR DISC BRAKE MODEL ADB-1560

	Part No.	Replaces
	A-3263-M-1157S	A7-3263-G-215 A7-3263-G-215S
	A1-3263-M-1157 (LH)	A8-3263-G-215 A1-3263-G-215
	A2-3263-M-1157 (RH)	A9-3263-G-215 A2-3263-G-215
	A3-3263-M-1157 (LH)	A3-3263-G-215
	A4-3263-M-1157 (RH)	A4-3263-G-215

	Part No.	Description
	2230-M-195	Caliper Piston

KIT 15001	Item	Qty	Part No.	Description
	1	1	A-1205-E-1773	Piston Seal
	2	1	42-X-1062	Snap Ring - Spring Retainer
	3	1	1225-K-973	Powershaft Bushing
	4	1	2258-F-1176	Piston Return Spring
	5	2	43-X-1037	Pin
	6	1	1229-T-2906	Thrust Washer
	7	1	5-X-884	O-Ring
	8	1	A-1205-F-2242	Powershaft Cap Seal
	9	1	2260-D-1018	Piston Boot
	10	1	1229-C-4059	Washer
	11	1	1229-Z-1118	Powershaft Snap Ring
	12	1	1229-W-2909	Snap Ring - Piston Seal Retainer
	13	1	1229-V-1114	Snap Ring
	14	1	1205-T-1762	Piston Seal
	15	2	42-X-1013	Washer
	16	2	2258-R-694	Spring
	17	2	1227-G-1229	Nut
	18	2	K-2514C	Cotter Pin

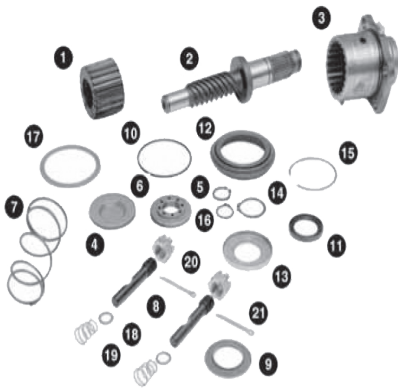
DURAMASTER AIR DISC BRAKE MODEL ADB-1560

KIT 15003



Item	Qty	Part No.	Description
1	4	3780-U-151	O-Ring
2	2	1259-Z-1040	Pin
3	2	2258-R-694	Spring
4	2	42-X-1013	Washer
5	2	43-X-1037	Retainer Pin
6	2	1227-G-1229	Nut
7	1	A-2297-Y-6031	Grease (1 oz.)

KIT 15006RH



Item	Qty	Part No.	Description
1	1	40-X-1009	Powershaft Nut RH
2	1	2210-H-5234	Powershaft - RH
3	1	A-3262-M-377	Powershaft Cap Assembly
4	1	A-1205-E-1773	Piston Seal
5	1	42-X-1062	Snap Ring - Spring Retainer
6	1	1225-K-973	Powershaft Bushing
7	1	2258-F-1176	Piston Return Spring
8	2	43-X-1037	Pin
9	1	1229-T-2906	Thrust Washer
10	1	5-X-884	O-Ring
11	1	A-1205-F-2242	Powershaft Cap Seal
12	1	2260-D-1018	Piston Boot
13	1	1229-C-4059	Washer
14	1	1229-Z-1118	Powershaft Snap Ring
15	1	1229-W-2909	Snap Ring - Piston Seal Retainer
16	1	1229-V-1114	Snap Ring
17	1	1205-T-1762	Piston Seal
18	2	42-X-1013	Washer
19	2	2258-R-694	Spring
20	2	1227-G-1229	Nut
21	2	K-2514C	Cotter Pin

DURAMASTER AIR DISC BRAKE MODEL ADB-1560

KIT 15007LH			
Item	Qty	Part No.	Description
1	1	40-X-1008	Powershaft Nut LH
2	1	2210-G-5233	Powershaft - LH
3	1	A-3262-M-377	Powershaft Cap Assy.
4	1	A-1205-E-1773	Piston Seal
5	1	42-X-1062	Snap Ring - Spring Retainer
6	1	1225-K-973	Powershaft Bushing
7	1	2258-F-1176	Piston Return Spring
8	2	43-X-1037	Pin
9	1	1229-T-2906	Thrust Washer
10	1	5-X-884	O-Ring
11	1	A-1205-F-2242	Powershaft Cap Seal
12	1	2260-D-1018	Piston Boot
13	1	1229-C-4059	Washer
14	1	1229-Z-1118	Powershaft Snap Ring
15	1	1229-W-2909	Snap Ring - Piston Seal Retainer
16	1	1229-V-1114	Snap Ring
17	1	1205-T-1762	Piston Seal
18	2	42-X-1013	Washer
19	2	2258-R-694	Spring
20	2	1227-G-1229	Nut
21	2	K-2514C	Cotter Pin




KIT 15010			
Item	Qty	Part No.	Description
1	2	1225-Z-1144	Caliper Inner Bushing
2	2	1225-Y-1143	Caliper Outer Bushing





KIT 15012			
Item	Qty	Part No.	Description
1	1	2260-D-1018	Piston Boot
2	1	1205-T-1762	Boot Seal
3	1	A-3262-M-377	Powershaft Cap Assembly




DURAMASTER AIR DISC BRAKE MODEL ADB-1560

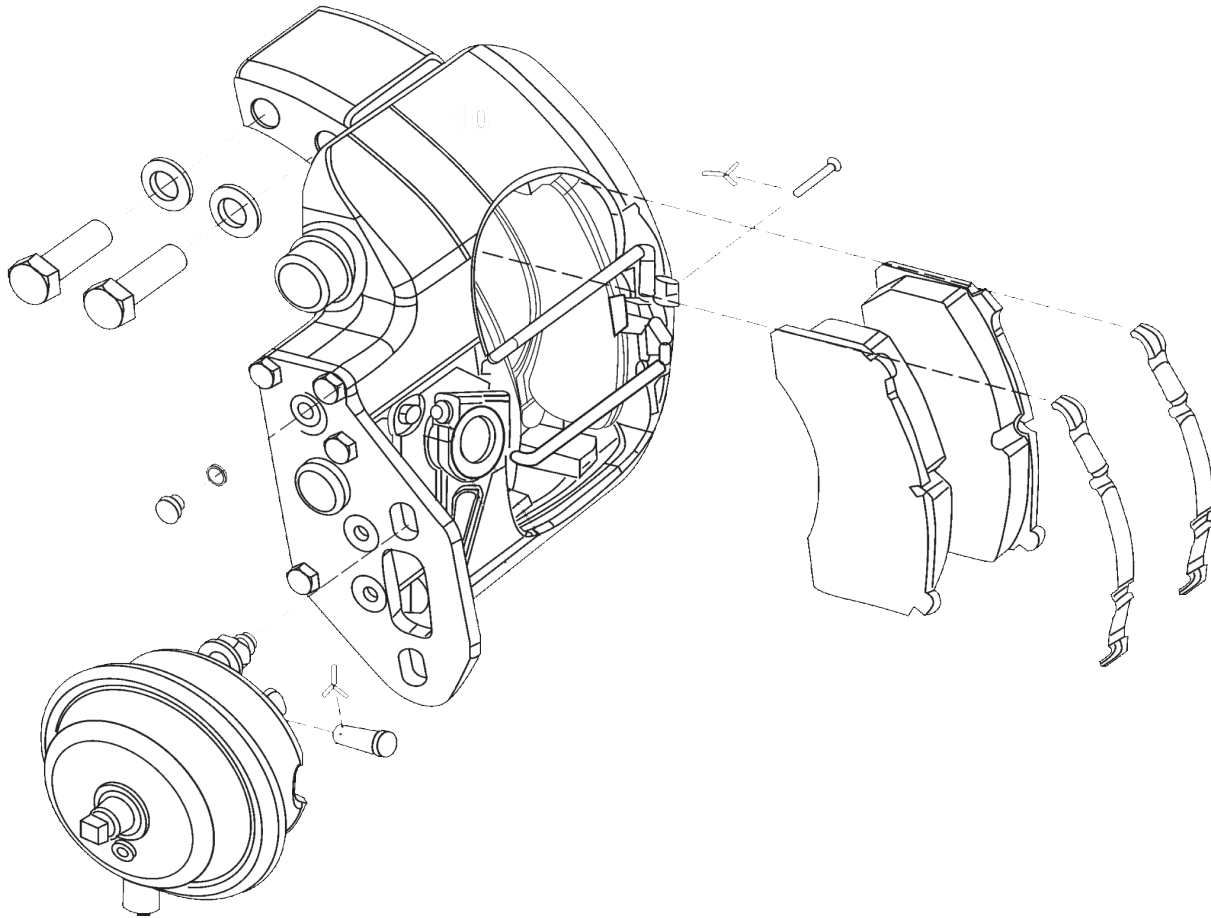
KIT 15015		Item	Qty	Part No.	Description
	1	1	1225-A-1249	Powershaft Bushing	
	2	1	A-1205-F-2242	Powershaft Cap Seal	

KIT 15016		Item	Qty	Part No.	Description
	1	2	1259-A-287	Caliper Slide Pin	
	2	2	43-X-1037	Pin	
	3	2	42-X-1013	Washer	
	4	2	2258-R-694	Spring	
	5	2	1227-G-1229	Nut	


KIT 15625PM		Item	Qty	Part No.	Description
	1	2	Not Sold Separately	Inner Shoe & Lining Assembly	
	2	2	Not Sold Separately	Outer Shoe & Lining Assembly	

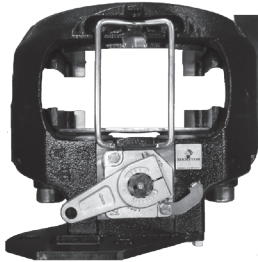
KIT 15627PM		Item	Qty	Part No.	Description
	1	2	Not Sold Separately	Inner Shoe & Lining Assembly	
	2	2	Not Sold Separately	Outer Shoe & Lining Assembly	

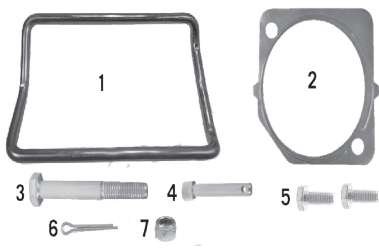
MERITOR DX195 AIR DISC BRAKE ASSEMBLY

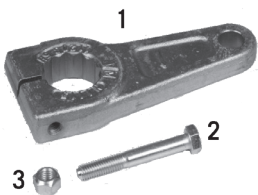


MERITOR DX195 AIR DISC BRAKE ASSEMBLY


DX19539		Item	Qty	Part No.	Description
	1	1	DX19539	Caliper	
	2	1	Not Shown	Washer (not shown)	
	3	1	Not Shown	Bolt (not shown)	

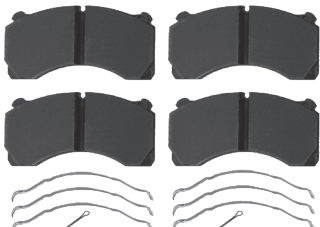
DX19540		Item	Qty	Part No.	Description
	1	1	DX19540	Caliper	
	2	1	Not Shown	Washer (not shown)	
	3	1	Not Shown	Bolt (not shown)	

MCK1154		Item	Qty	Part No.	Description
	1	1		Pad Retainer Bar	
	2	1		Gasket	
	3	1		Capscrew	
	4	1	NOT SOLD SEPARATELY	Pin	
	5	2	NOT SOLD SEPARATELY	Screw	
	6	1	NOT SOLD SEPARATELY	Cotter Pin	
	7	1	NOT SOLD SEPARATELY	Nut	
	8	1	NOT SOLD SEPARATELY	Loctite (not shown)	

MCK1161		Item	Qty	Part No.	Description
	1	1		Lever	
	2	1	NOT SOLD SEPARATELY	Capscrew	
	3	1	NOT SOLD SEPARATELY	Nut	


MERITOR DX195 AIR DISC BRAKE ASSEMBLY


MCK1171		Item	Qty	Part No.	Description
		1	2		Slide Pin Cover
		2	1		Slide Pin Screw
		3	1		Slide Pin Screw
		4	1		Pin
		5	1		Pin
		6	2		Bushing
		7	2		Slide Pin
		8	1		Washer
		9	1	NOT SOLD SEPARATELY	Filler Plug
		10	1		Cotter Pin
		11	2		Spreader Plate Screw
		12	2		Slide Pin Boot
		13	2		Piston Boot
		14	2		Bolt
		15	1		Loctite (not shown)
		16	1		Grease (not shown)
		17	1		Lubricant (not shown)

KIT 195020 KIT 195021 MMD1525AF		Item	Qty	Part No.	Description
		1	4		Disc Pads
		2	4	Not Sold Separately	Springs
		3	2		Cotter Pins

MERITOR DX195 CALIPER ASSEMBLY

MCK1189	Item	Qty	Part No.	Description
<p>Image not available at time of printing</p>	1	1		Saddle
	2	1		Slide Pin Screw
	3	1	NOT SOLD SEPARATELY	Slide Pin Screw
	4	2		Slide Pin Cover
	5	1		Loctite
	6	1		Lubricant

MCK1192	Item	Qty	Part No.	Description
	1	2		Slide Pin Cover
	2	1		Slide Pin Screw
	3	1	NOT SOLD SEPARATELY	Slide Pin Screw
	4	2		Slide Pin Boot
	5	2		Piston Boot
	6	1		Loctite (not shown)
	7	1		Lubricant (not shown)

MCK1294	Item	Qty	Part No.	Description
	1	1		Eccentric Shaft Assembly
	2	1		Cover Plate Assembly
	3	1		Gasket
	4	2		Screw
	5	1		Capscrew
	6	1		Nut
	7	1	NOT SOLD SEPARATELY	Washer
	8	1		Filler Plug
	9	1		Pin
	10	1		Cotter Pin
	11	1		Washer
	12	1		Dust Seal
	13	1		Grease Nipple (not shown)
	14	1		Loctite (not shown)
	15	1		Grease (noth shown)

MERITOR DX195 CALIPER ASSEMBLY

KIT 195006 — Air Chamber Type 16



Item	Qty	Part No.	Description
1	1	V89-3276-P-16	Chamber - Type 16
2	1	43-X-1194	Clevis Pin (not shown)
3	1	K-234Z	Cotter Pin (not shown)

KIT 195015A — Air Chamber Type 24 (Service Chamber)



Picture shown is a complete assembly

Item	Qty	Part No.	Description
1	1	C49-3276-X-24	Chamber - Type 24
2	1	43-X-1194	Clevis Pin (not shown)
3	1	K-234Z	Cotter Pin (not shown)

KIT 195018A — Air Chamber Type 24 (Piggyback)



Picture shown is a complete assembly

Item	Qty	Part No.	Description
1	1	C47-3276-X-24	Chamber - Type 24
2	1	43-X-1194	Clevis Pin (not shown)
3	1	K-234Z	Cotter Pin (not shown)



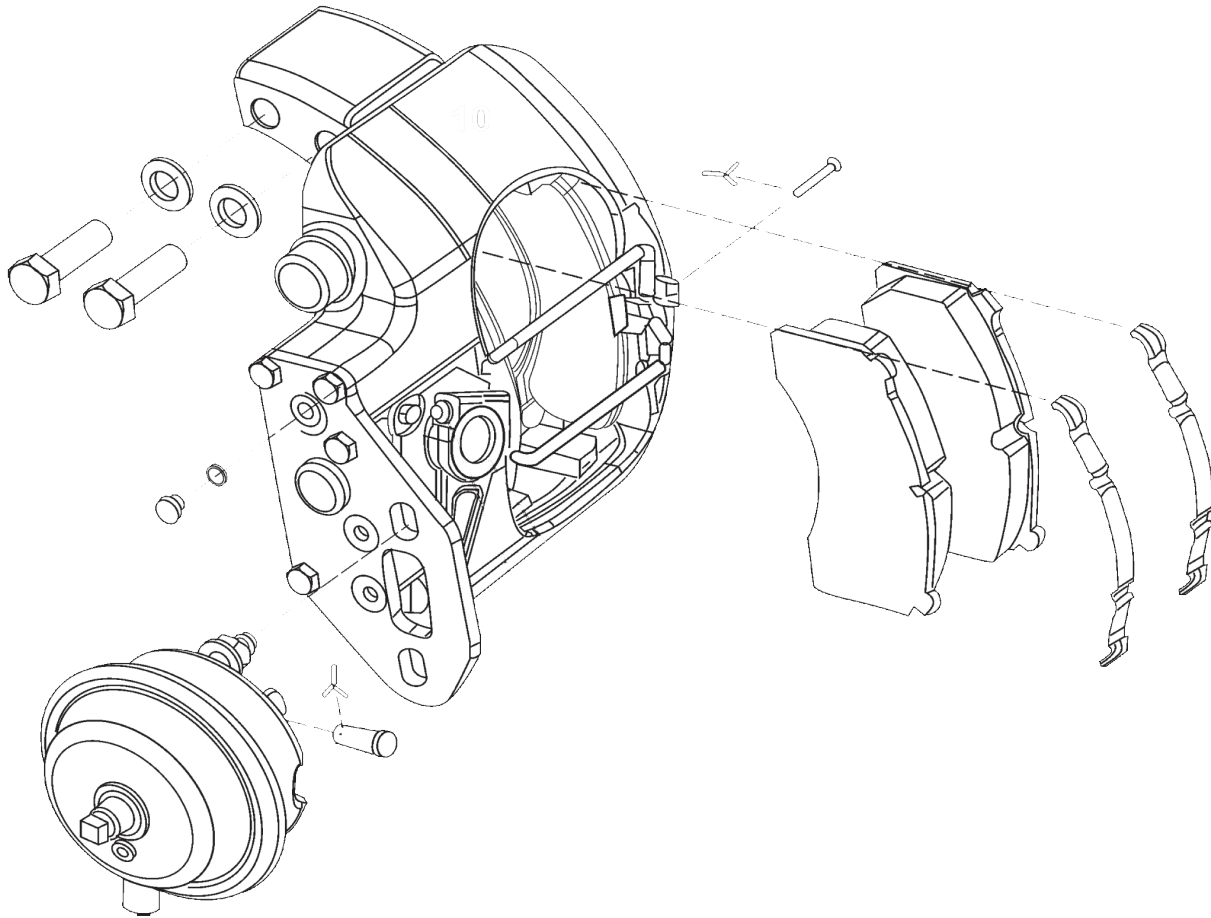
Meritor.com/lod

With a user-friendly approach and visually appealing format for easier, quicker surfing, Literature on Demand is your “go to” spot for all your literature needs – Parts Books, Sales Brochures and Technical Publications.

©2014 Meritor, Inc.



MERITOR DX225 AIR DISC BRAKE ASSEMBLY



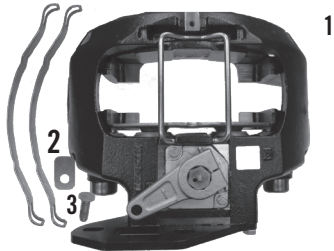
MERITOR DX225 AIR DISC BRAKE ASSEMBLY

DX225211001K



Item	Qty	Part No.	Description
1	1	DX225211001K	Caliper
2	1	42-X-1040	Washer
3	1	10-X-1556	Bolt

DX225211002K



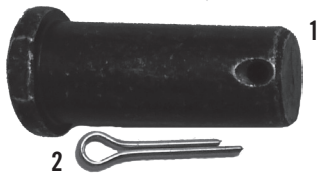
Item	Qty	Part No.	Description
1	1	DX225211001K	Caliper
2	1	42-X-1040	Washer
3	1	10-X-1556	Bolt

KIT 225012

Image not available
at time of printing

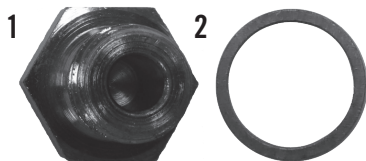
Item	Qty	Part No.	Description
1	1	42-X-1040	Retaining Washer
2	1	10-X-1556	Cover Plate Assembly

KIT 195013



Item	Qty	Part No.	Description
1	1	43-X-1194	Clevis Pin
2	1	K-234Z	Cotter Pin

MCK1375



Item	Qty	Part No.	Description
1	1	1250-R-1006	Plug
2	1	1229-V-4468	Washer

KIT 195006 — Air Chamber Type 16



Item	Qty	Part No.	Description
1	1	V89-3276-P-16	Chamber - Type 16
2	1	43-X-1194	Clevis Pin (not shown)
3	1	K-234Z	Cotter Pin (not shown)

MERITOR DX225 AIR DISC BRAKE ASSEMBLY

KIT 195015A — Air Chamber Type 24 (Service Chamber)

Picture shown is a complete assembly



Item	Qty	Part No.	Description
1	1	C49-3276-X-24	Chamber - Type 24
2	1	43-X-1194	Clevis Pin (not shown)
3	1	K-234Z	Cotter Pin (not shown)

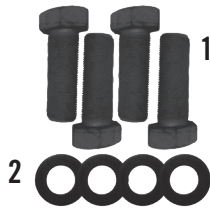
KIT 195018A — Air Chamber Type 24 (Piggyback)

Picture shown is a complete assembly



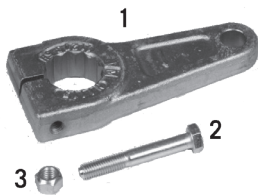
Item	Qty	Part No.	Description
1	1	C47-3276-X-24	Chamber - Type 24
2	1	43-X-1194	Clevis Pin (not shown)
3	1	K-234Z	Cotter Pin (not shown)

KIT 195011



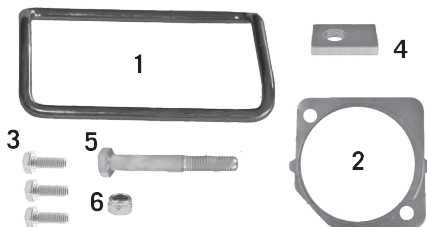
Item	Qty	Part No.	Description
1	4	41-X-1484V	Saddle Bolt
2	4	MWA-520P	Washer

MCK1161




Item	Qty	Part No.	Description
1	1	NOT SOLD SEPARATELY	Lever
2	1		Cap screw
3	1		Nut


MCK1159



Item	Qty	Part No.	Description
1	1	NOT SOLD SEPARATELY	Pad Retainer Bar
2	1		Gasket
3	3		Shaft Cover Screw
4	1		Washer
5	1		Cap screw
6	1		Nut
7	1		Loctite (not shown)

MERITOR DX225 AIR DISC BRAKE ASSEMBLY

MCK1294	Item	Qty	Part No.	Description
	1	1		Eccentric Shaft Assembly
	2	1		Cover Plate Assembly
	3	1		Gasket
	4	2		Screw
	5	1		Capscrew
	6	1		Nut
	7	1		Washer
	8	1	NOT SOLD SEPARATELY	Filler Plug
	9	1		Pin
	10	1		Cotter Pin
	11	1		Washer
	12	1		Dust Seal
	13	1		Grease Nipple (not shown)
	14	1		Loctite (not shown)
	15	1		Grease (noth shown)

MCK1173	Item	Qty	Part No.	Description
	1	2		Slide Pin Cover
	2	1		Slide Pin Screw
	3	1		Slide Pin Screw
	4	1		Pin
	5	1		Pin
	6	2		Bushing
	7	2		Slide Pin
	8	1	NOT SOLD SEPARATELY	Washer
	9	1		Filler Plug
	10	1		Screw
	11	1		Washer
	12	2		Slide Pin Boot
	13	2		Piston Boot
	14	2		Screw
	15	2		Pin
	16	1		Loctite (not shown)
	17	1		Lubricant (not shown)

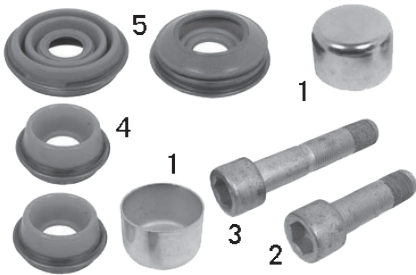
MERITOR DX225 AIR DISC BRAKE ASSEMBLY

MCK1196

Image not available
at time of printing

Item	Qty	Part No.	Description
1	1		Carrier
2	1		Slide Pin Screw
3	1	NOT SOLD	Slide Pin Screw
4	3	SEPARATELY	Slide Pin Cover
5	1		Loctite
6	1		Lubricant

MCK1192



Item	Qty	Part No.	Description
1	2		Slide Pin Cover
2	1		Slide Pin Screw
3	1		Slide Pin Screw
4	2	NOT SOLD SEPARATELY	Slide Pin Boot
5	2		Piston Boot
6	1		Loctite (not shown)
7	1		Lubricant (not shown)

KIT 225020

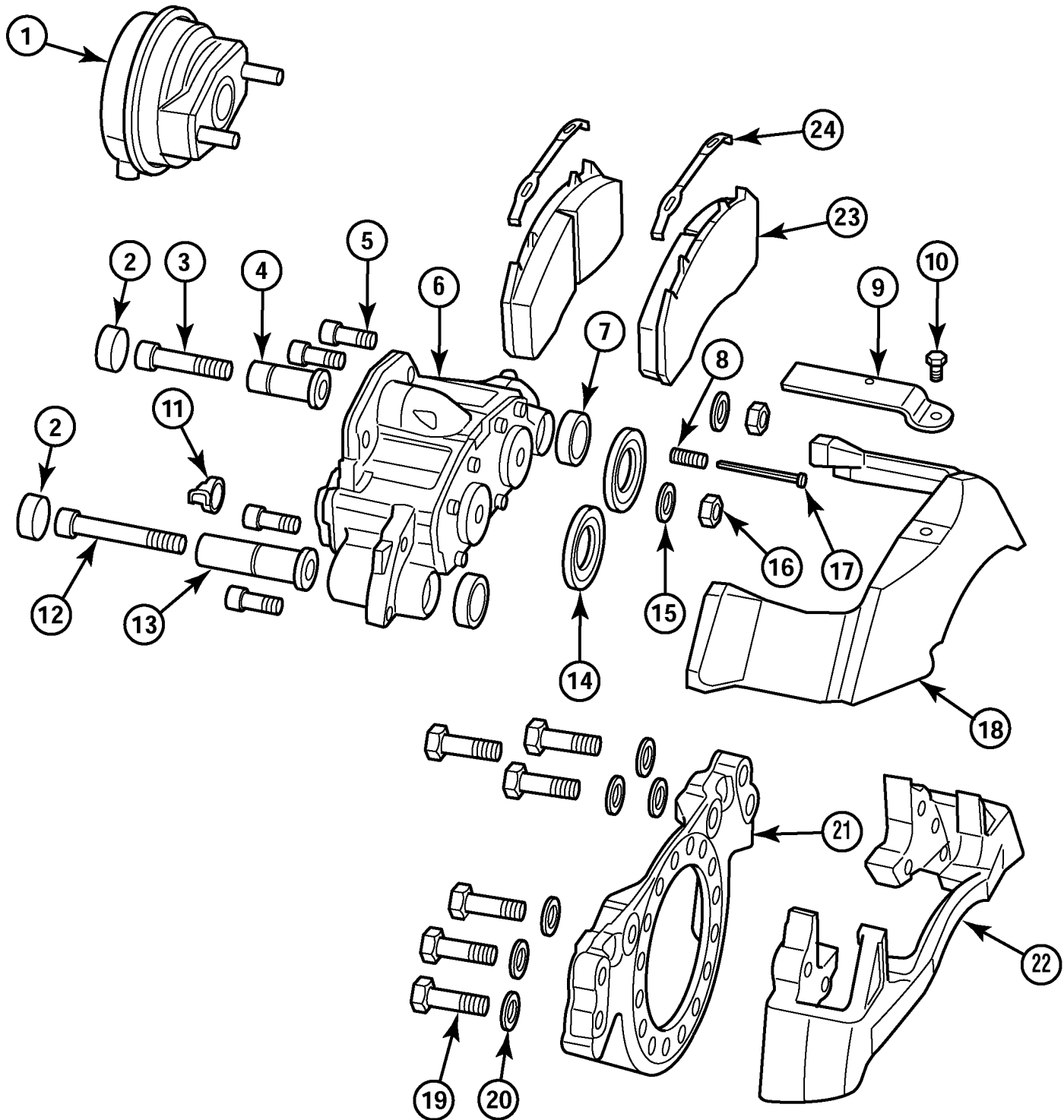
KIT 225021

MMD1526AF (includes hardware)

Image not available
at time of printing

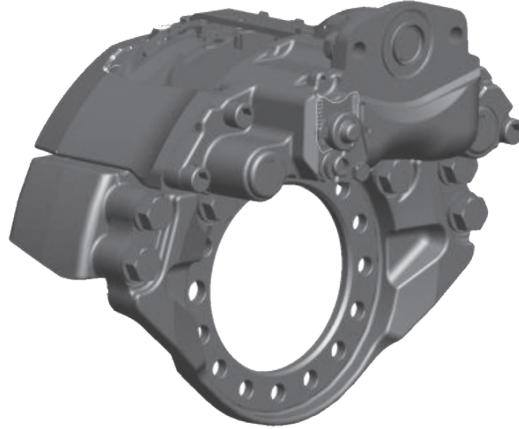
Item	Qty	Part No.	Description
1	4		Disc Pads
2	4	Not Sold Separately	Springs
3	2		Cotter Pins

MERITOR EX+ AIR DISC BRAKE ASSEMBLY AXIAL MOUNT CALIPER WITH AXIAL MOUNT CHAMBER



NOTE: Service instruction maintenance manual MM-0467 is available at meritor.com

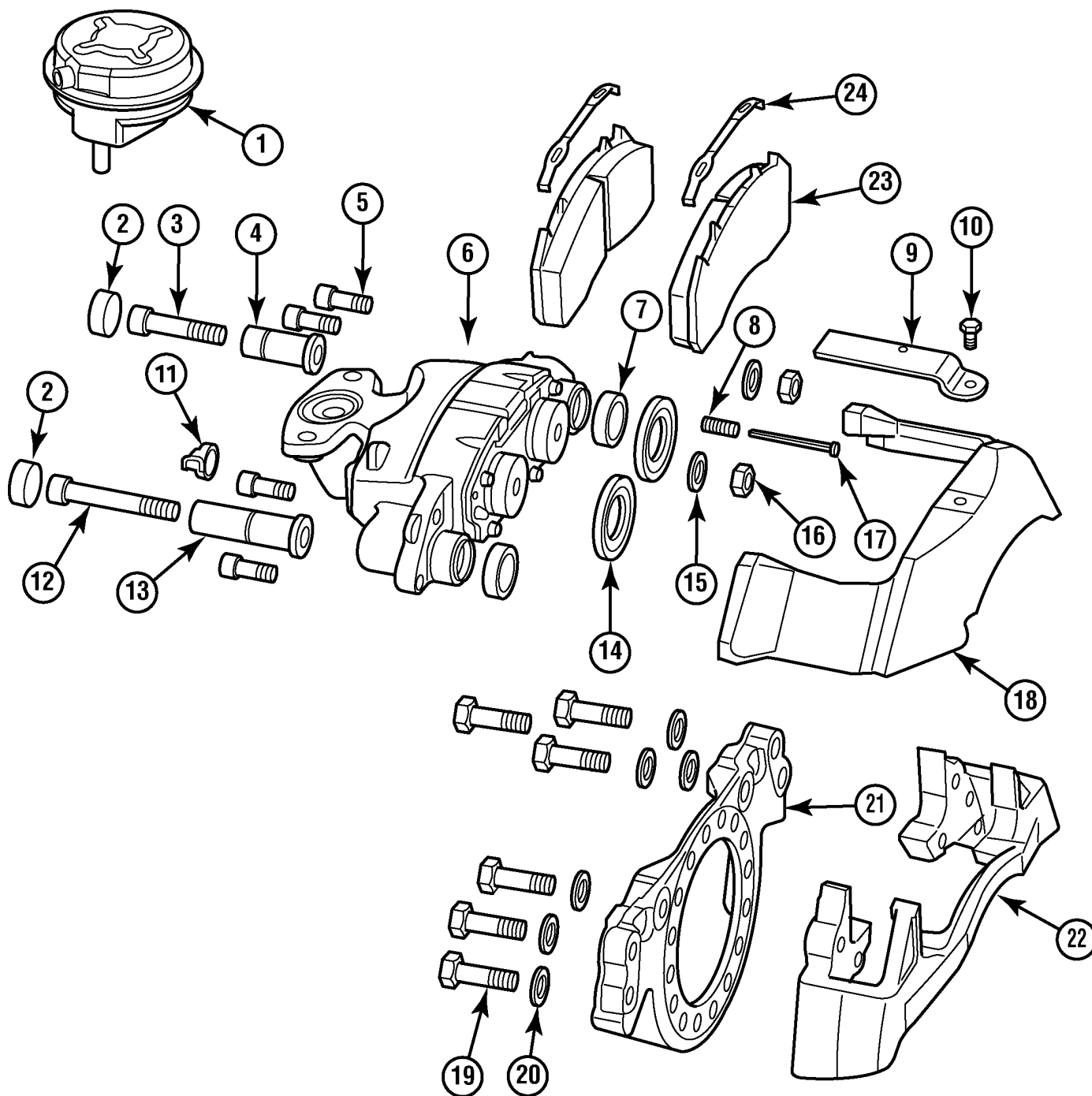
MERITOR EX+ AIR DISC BRAKE ASSEMBLY AXIAL MOUNT CALIPER WITH AXIAL MOUNT CHAMBER



Service Calipers

Shown	Opposite	Description
EX225H201XX000	EX225H202XX000	EX225H2
EX225H203XX000	EX225H204XX000	
EX225H205XX000	EX225H206XX000	
EX225H207XX000	EX225H208XX000	
EX225H213XX000	EX225H214XX000	
EX225H217XX100	EX225H218XX100	EX225H 434 Axial
EX225H301XX000	EX225H302XX000	EX225H3
EX225H305XX000	EX225H306XX000	
EX225L201XX000	EX225L202XX000	EX225L2
EX225L213XX000	EX225L214XX000	
EX225L246XX000	EX225L245XX000	
EX225L239XX000	EX225L240XX000	EX225L 410
EX225L235XX000	EX225L236XX000	EX225L 434 Axial
EX225L237XX000	EX225L238XX000	

MERITOR EX+ AIR DISC BRAKE ASSEMBLY AXIAL MOUNT CALIPER WITH RADIAL MOUNT CHAMBER



NOTE: Service instruction maintenance manual MM-0467 is available at meritor.com

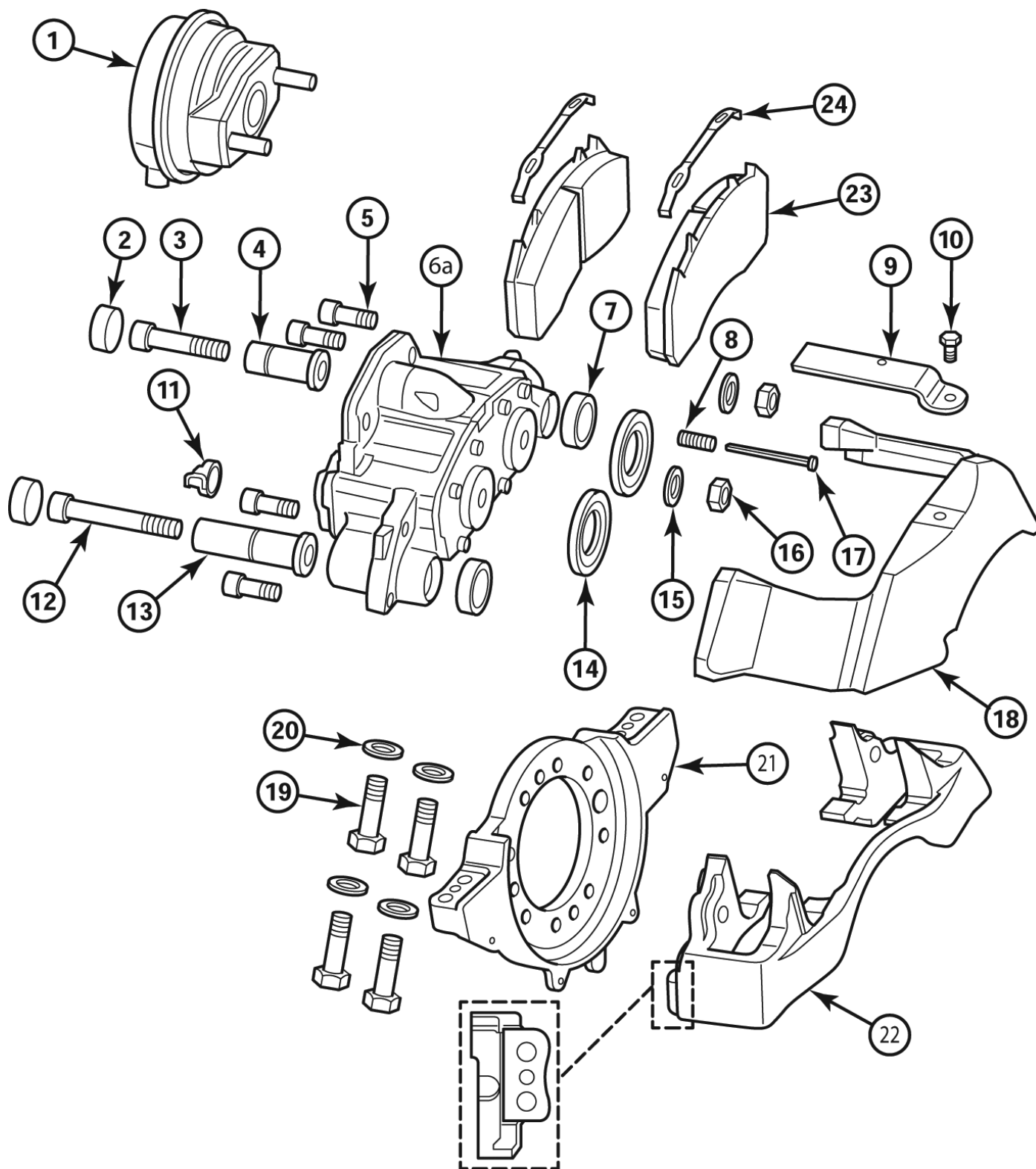
MERITOR EX+ AIR DISC BRAKE ASSEMBLY AXIAL MOUNT CALIPER WITH RADIAL MOUNT CHAMBER



Service Calipers

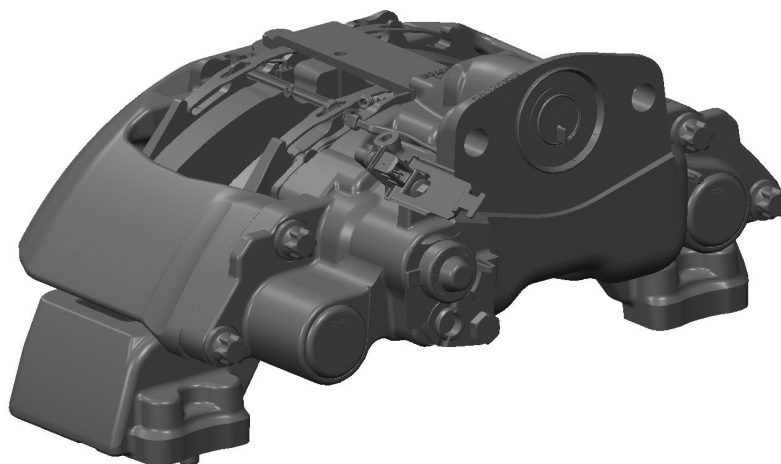
Shown	Opposite	Description
EX225H401XX000	EX225H402XX000	
EX225H403XX000	EX225H404XX000	EX225H4
EX225H405XX000	EX225H406XX000	
EX225H601XX000	EX225H602XX000	EX225H6

MERITOR EX+ AIR DISC BRAKE ASSEMBLY RADIAL MOUNT CALIPER WITH AXIAL MOUNT CHAMBER



NOTE: Service instruction maintenance manual MM-0467 is available at meritor.com

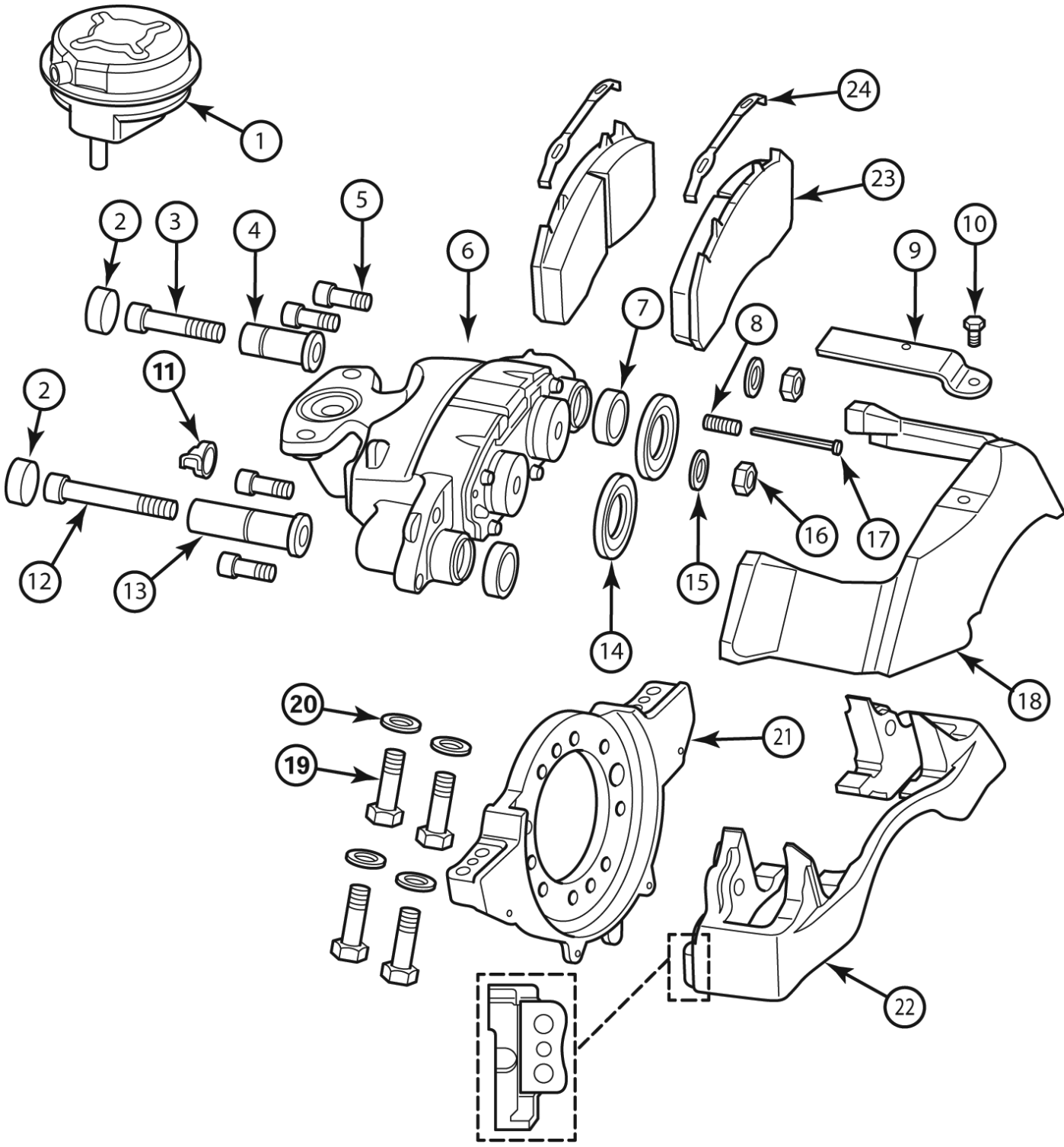
MERITOR EX+ AIR DISC BRAKE ASSEMBLY RADIAL MOUNT CALIPER WITH AXIAL MOUNT CHAMBER



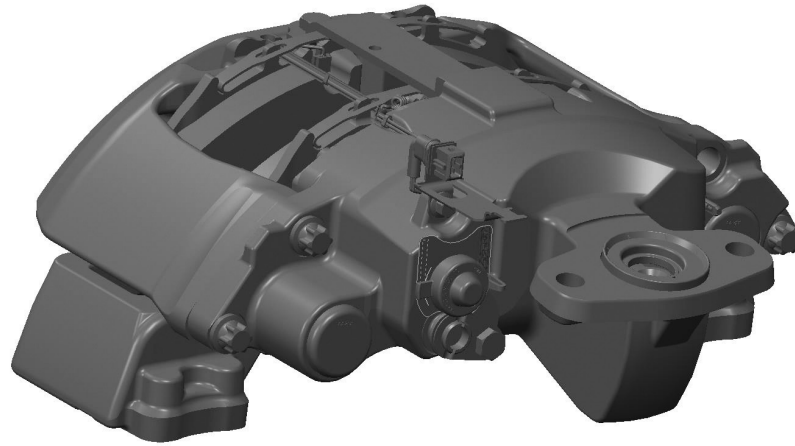
Service Calipers

Shown	Opposite	Description
EX225H307XX000	EX225H308XX000	EX225H3 (M16 Bolts)
EX225H309XX000	EX225H310XX000	
EX225L205XX000	EX225L206XX000	
EX225L207XX000	EX225L208XX000	
EX225L223XX000	EX225L224XX000	EX225L 410
EX225L225XX000	EX225L226XX000	
EX225L219XX000	EX225L220XX000	EX225L 434
EX225L221XX000	EX225L222XX000	
EX225H215XX101	EX225H216XX101	EX225H 434

MERITOR EX+ AIR DISC BRAKE ASSEMBLY RADIAL MOUNT CALIPER WITH RADIAL MOUNT CHAMBER



MERITOR EX+ AIR DISC BRAKE ASSEMBLY RADIAL MOUNT CALIPER WITH RADIAL MOUNT CHAMBER



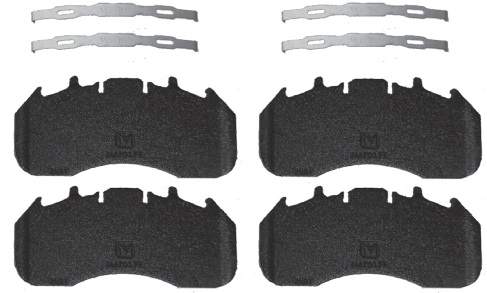
Service Calipers

Shown	Opposite	Description
EX225H609XX000	EX225H610XX000	EX225H6

INDIVIDUAL PARTS LISTING

Disc Pad Kits See Pages 76-77

Item	Part Number	Part Description	Qty.
23		Pads	4
24	68324769	Retainer Springs	4



KIT225210 — Disc Pad Retainer Kit

9		Retainer	1
10		Retainer Screw	1



KIT225237 — Disc Pad Retainer Kit

9		Retainer	1
10		Retainer Screw	1



KIT225207 — Wear Indicator Kit (Plastic)

8		Spring	4
17		Indicator	4



KIT225255 — Wear Indicator Kit (Metal)

8		Spring	4
17		Indicator	4



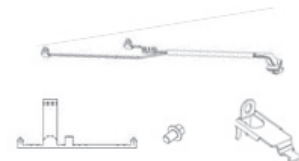
KIT225207ES — Wear Warning Indicator (PWWI)

Not Shown See chart page 60 for correct application.



KIT225250 — Wear Warning Indicator (PWWI)

Not Shown See chart page 60 for correct application.



KIT225251 — Wear Warning Indicator (PWWI)

Not Shown See chart page 60 for correct application.



INDIVIDUAL PARTS LISTING

Item	Part Number	Part Description	Qty.
------	-------------	------------------	------

Protective Cap

11	68322655PK10	Protective Cap	10
----	--------------	----------------	----



Brake Chamber Seal

Not Shown	68323746PK10	Brake Chamber Seal	10
-----------	--------------	--------------------	----



Piston Boot

14	68324854	Piston Boot	2
----	----------	-------------	---



Caliper to Torque Plate Mounting Kit

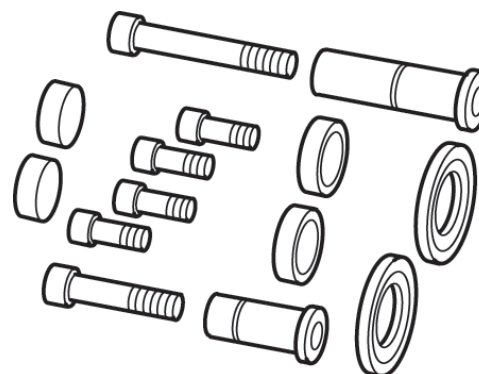
See Pages 80 for details.

19		Carrier Bolts	6
20		Washer	6



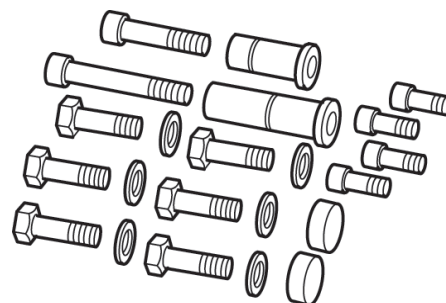
KIT225200 — Slide Pin Kit

2		SLIDE PIN CAP	2
3		S-SLID PIN BOLT	1
4		SHORT SLIDE PIN	1
5		BRIDGE BOLTS	4
7		SLIDE PIN BOOT	2
12		L-SLID PIN BOLT	1
13		LONG SLIDE PIN	1
14	68324854	PISTON BOOT	2
Not Shown		25GRM GREASE TUBE	1

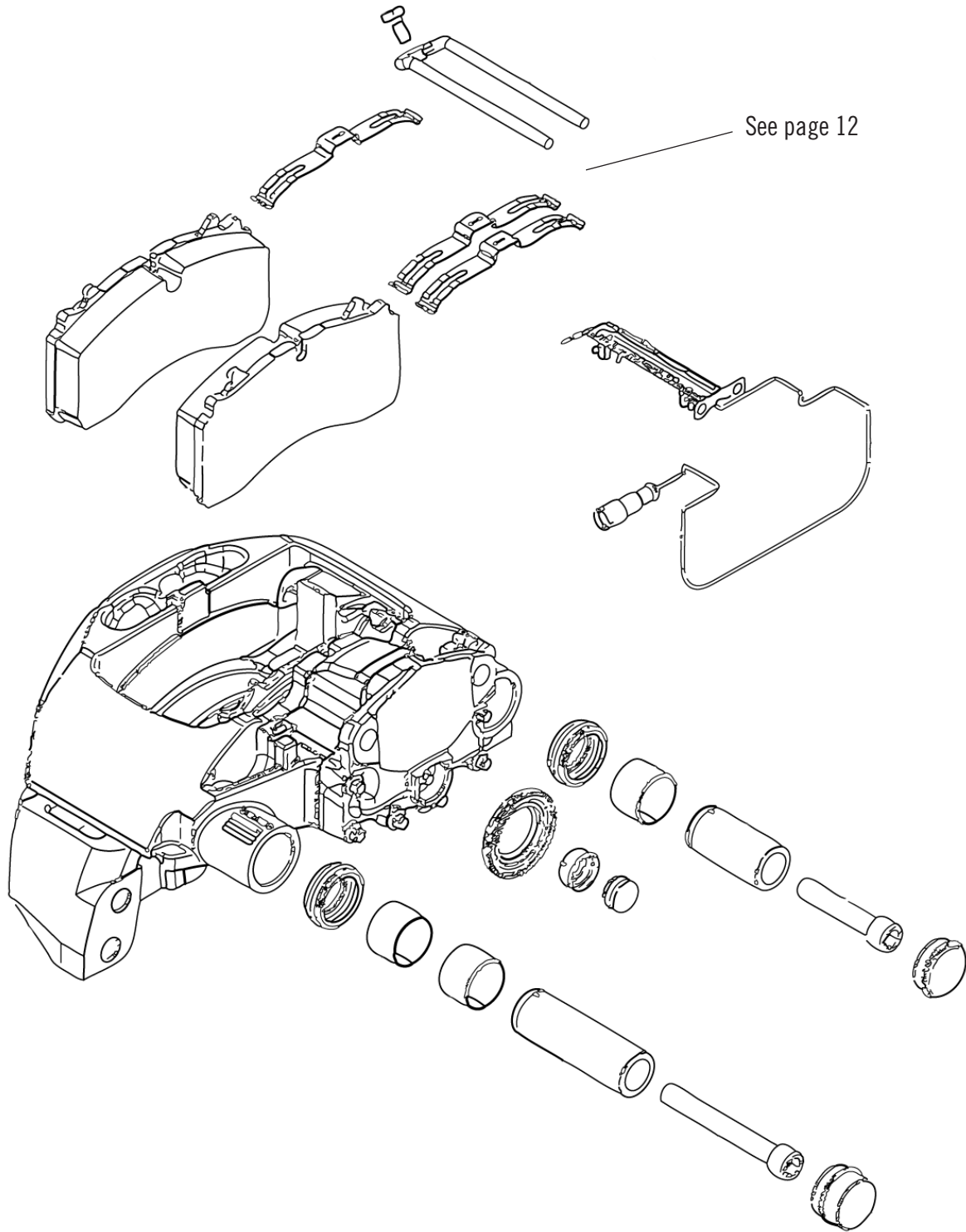


KIT225256 — Universal Hardware Kit

2		SLIDE PIN CAP	2
3		S-SLID PIN BOLT	1
4		SHORT SLIDE PIN	1
5		BRIDGE BOLTS	4
12		L-SLID PIN BOLT	1
13		LONG SLIDE PIN	1
19		Carrier Bolts	6
20		Washer	6





WABCO PAN 17




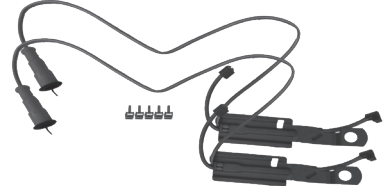
See page 12

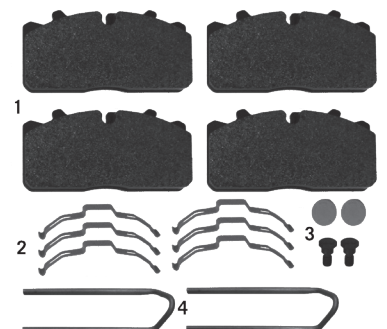
WABCO PAN 17

40-175-072	Item	Qty	Part No.	Description
	1	1	40-175-072	Caliper

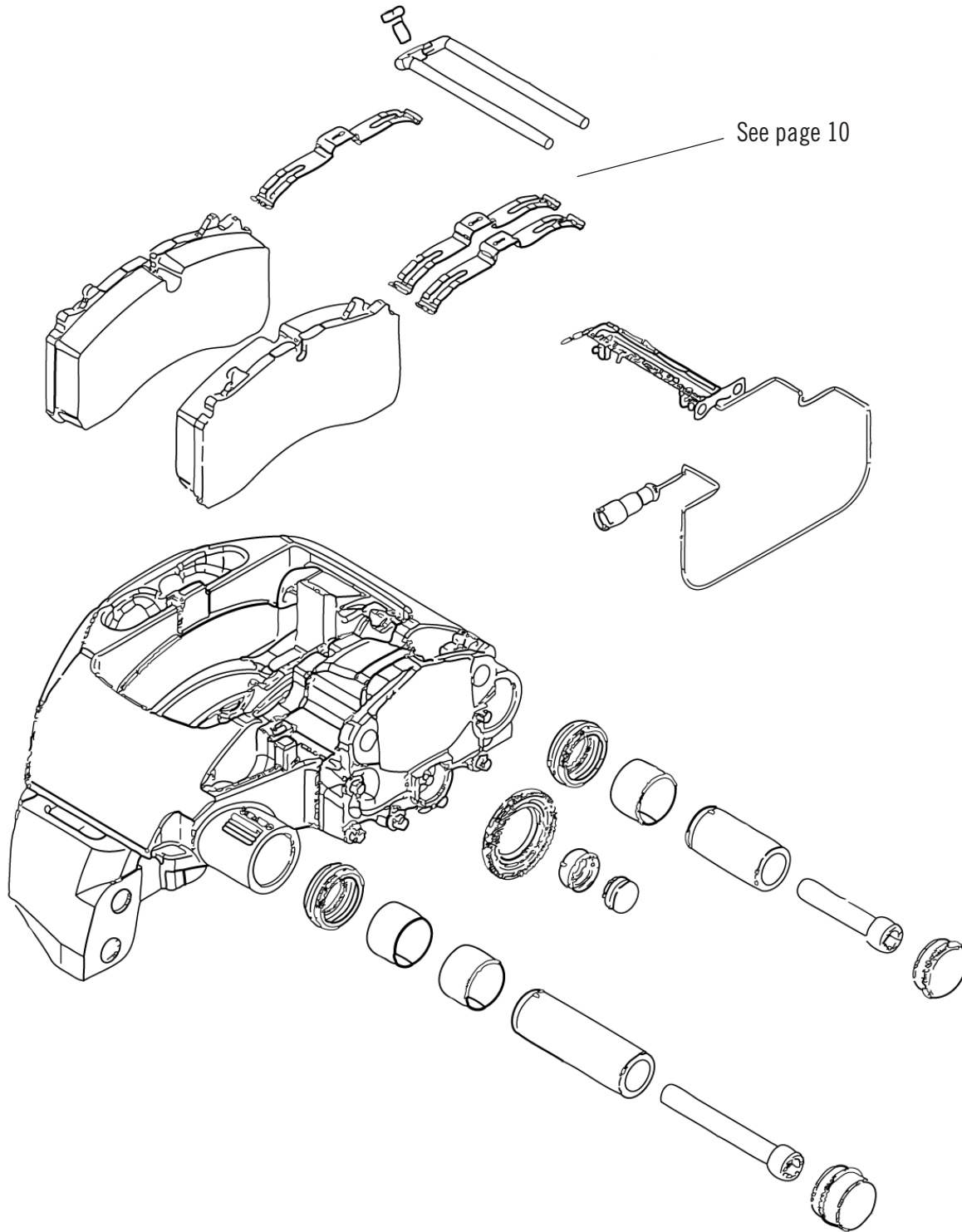
40-175-073	Item	Qty	Part No.	Description
	1	1	40-175-073	Caliper

12-999-699VT	Item	Qty.	Part No.	Description
	1	1	Not Sold Separately	Piston Adj. Plug
	2	1		Piston Seal
	3	2		Slide Pin Boots
	4	3		Slide Pin Bushings
	5	1		Long Slide Pin
	6	1		Short Slide Pin
	7	1		Long Slide Pin Bolt
	8	1		Short Slide Pin Bolt
	9	1		Short Slide Pin Cap
	10	1		Long Slide Pin Cap

12-999-755VT	Item	Qty.	Part No.	Description
	1	1	Not Sold Separately	Disc Padwear Indicator

12-999-806 12-999-703VT 12-999-743VT MMD1518AF (includes hardware)	Item	Qty.	Part No.	Description
	1	4	Not Sold Separately	Disc Pads
	2	4		Springs
	3	2		Bolt
	4	2		Pad Retainer

WABCO PAN 19



WABCO PAN 19

40-195-037	Item	Qty	Part No.	Description
------------	------	-----	----------	-------------



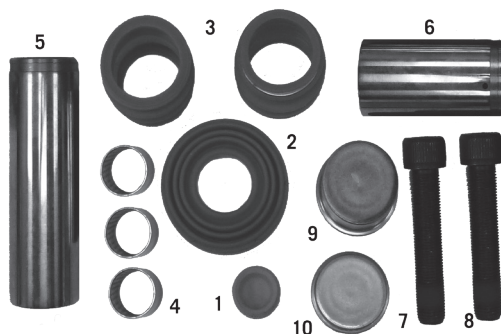
1	1	40-195-037	Caliper
---	---	------------	---------

40-195-038	Item	Qty	Part No.	Description
------------	------	-----	----------	-------------



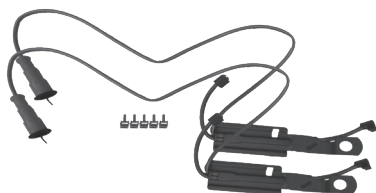
1	1	40-1795-038	Caliper
---	---	-------------	---------

640-225-9212	Item	Qty.	Part No.	Description
--------------	------	------	----------	-------------



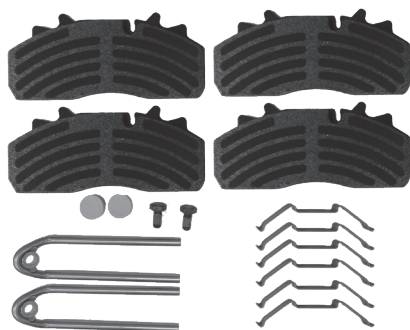
1	1	Not Sold Separately	Piston Adj. Plug
2	1		Piston Seal
3	2		Slide Pin Boots
4	3		Slide Pin Bushings
5	1		Long Slide Pin
6	1		Short Slide Pin
7	1		Long Slide Pin Bolt
8	1		Short Slide Pin Bolt
9	1		Short Slide Pin Cap
10	1		Long Slide Pin Cap

12-999-755VT	Item	Qty.	Part No.	Description
--------------	------	------	----------	-------------



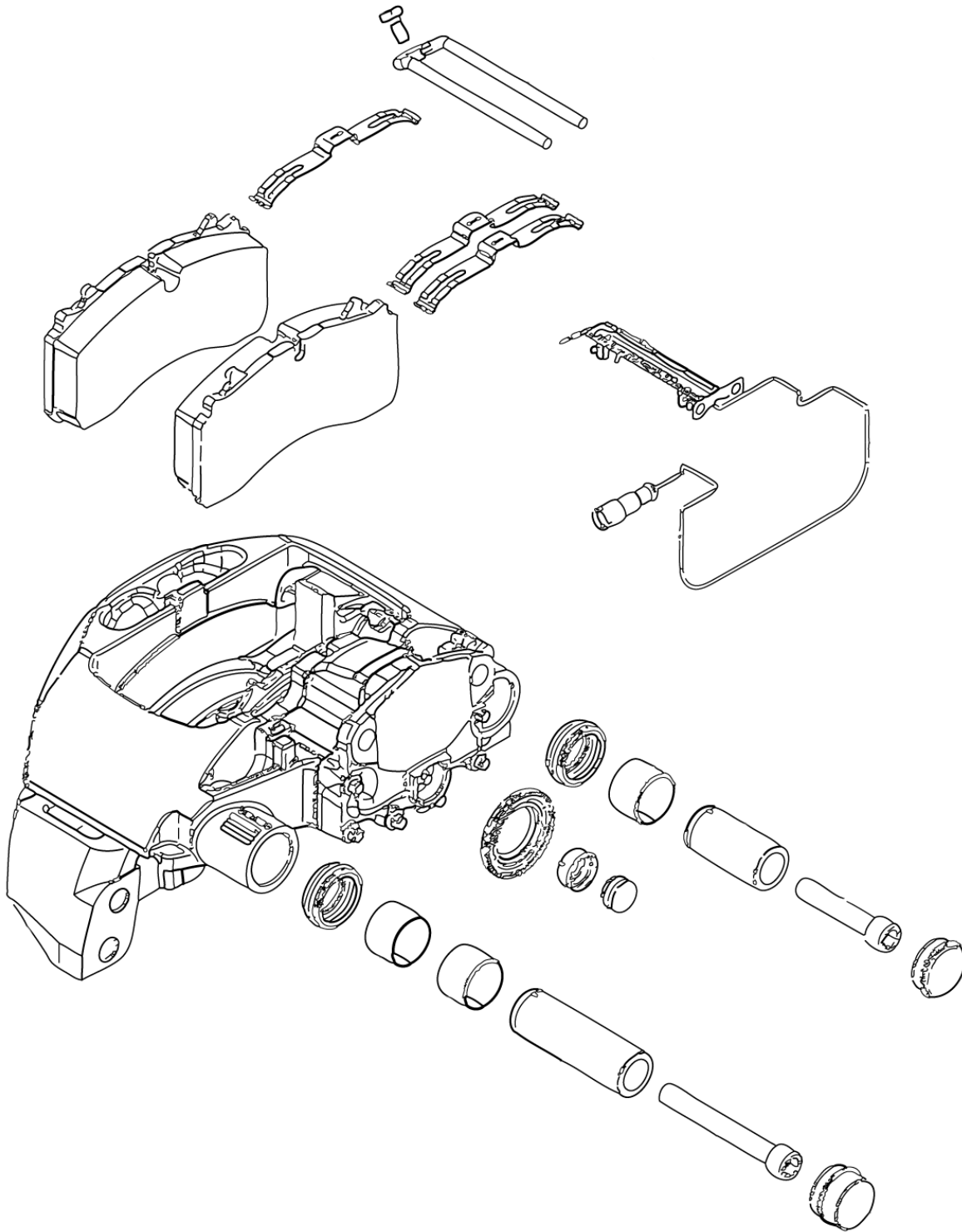
1	1	Not Sold Separately	Disc Padwear Indicator
---	---	---------------------	------------------------

12-999-737VT MMD1438AF (includes hardware)	Item	Qty.	Part No.	Description
---	------	------	----------	-------------



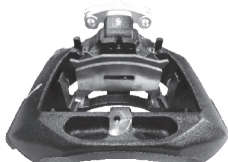
1	4	Not Sold Separately	Disc Pads
2	4		Springs
3	2		Bolt
4	2		Pad Retainer

WABCO PAN 22-1



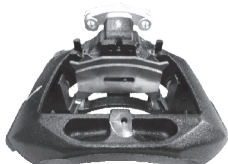
WABCO PAN 22-1

40-225-015	Item	Qty	Part No.	Description
------------	------	-----	----------	-------------



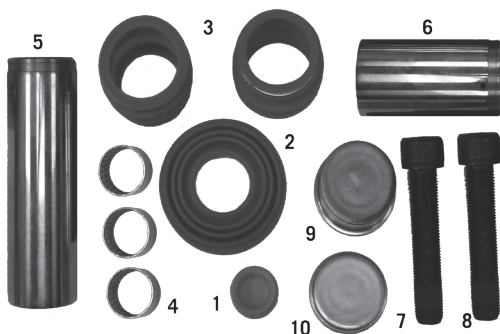
1	1	40-225-015	Caliper
---	---	------------	---------

40-225-016	Item	Qty	Part No.	Description
------------	------	-----	----------	-------------



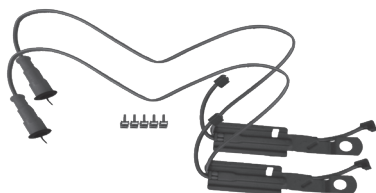
1	1	40-225-016	Caliper
---	---	------------	---------

640-225-9212	Item	Qty.	Part No.	Description
--------------	------	------	----------	-------------



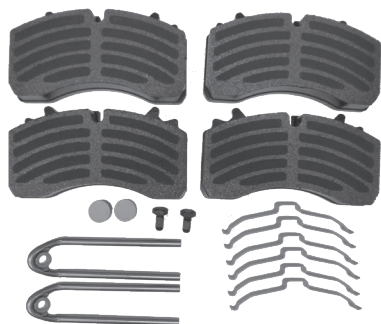
1	1	Not Sold Separately	Piston Adj. Plug
2	1		Piston Seal
3	2		Slide Pin Boots
4	3		Slide Pin Bushings
5	1		Long Slide Pin
6	1		Short Slide Pin
7	1		Long Slide Pin Bolt
8	1		Short Slide Pin Bolt
9	1		Short Slide Pin Cap
10	1		Long Slide Pin Cap

12-999-755VT	Item	Qty.	Part No.	Description
--------------	------	------	----------	-------------



1	1	Not Sold Separately	Disc Padwear Indicator
---	---	---------------------	------------------------

12-999-796 MMDWP22AF (includes hardware)	Item	Qty.	Part No.	Description
---	------	------	----------	-------------



1	4	Not Sold Separately	Disc Pads
2	4		Springs
3	2		Bolt
4	2		Pad Retainer

DISC PAD CROSS REFERENCE

Complete FMSI	Steel FMSI	OE #	Fras-Le #'s	Raybestos #'s	Application	All Makes #'s Without Hardware	All Makes #'s With Hardware
8323-D1203	D1203	1390428	ESD1203	ATD1203HD	SB7	MMD1203	MMD1203AF
8323-D1203	D1203	12182175	ESD1203	ATD1203HD	SB7	MMD1203	MMD1203AF
8323-D1203	D1203	18022062	ESD1203	ATD1203HD	SB7	MMD1203	MMD1203AF
8323-D1203	D1203	180220062	ESD1203	ATD1203HD	SB7	MMD1203	MMD1203AF
8323-D1203	D1203	1138162F	ESD1203	ATD1203HD	SB7	MMD1203	MMD1203AF
8323-D1203	D1203	339760062	ESD1203	ATD1203HD	SB7	MMD1203	MMD1203AF
8323-D1203	D1203	4011007	ESD1203	ATD1203HD	SB7	MMD1203	MMD1203AF
8323-D1203	D1203	41900138162F	ESD1203	ATD1203HD	SB7	MMD1203	MMD1203AF
8323-D1203	D1203	5013257	ESD1203	ATD1203HD	SB7	MMD1203	MMD1203AF
8323-D1203	D1203	5317002300	ESD1203	ATD1203HD	SB7	MMD1203	MMD1203AF
8323-D1203	D1203	5317002400	ESD1203	ATD1203HD	SB7	MMD1203	MMD1203AF
8323-D1203	D1203	539FF20	ESD1203	ATD1203HD	SB7	MMD1203	MMD1203AF
8323-D1203	D1203	611049	ESD1203	ATD1203HD	SB7	MMD1203	MMD1203AF
8323-D1203	D1203	6067MK28	ESD1203	ATD1203HD	SB7	MMD1203	MMD1203AF
8323-D1203	D1203	F067	ESD1203	ATD1203HD	SB7	MMD1203	MMD1203AF
8323-D1203	D1203	F067A	ESD1203	ATD1203HD	SB7	MMD1203	MMD1203AF
8323-D1203	D1203	WVA29146	ESD1203	ATD1203HD	SB7	MMD1203	MMD1203AF
8323-D1203	D1203	K006060	ESD1203	ATD1203HD	SB7	MMD1203	MMD1203AF
8323-D1203	D1203	6361074	ESD1203	ATD1203HD	SB7	MMD1203	MMD1203AF
8323-D1203	D1203	81.50820.6061	ESD1203	ATD1203HD	SB7	MMD1203	MMD1203AF
8425-D1310	D1310	F257	ESD1310	ATD1310HD	D-Elsa II	MMD1310	MMD1310AF
8425-D1310	D1310	MDP5060	ESD1310	ATD1310HD	D-Elsa II	MMD1310	MMD1310AF
8425-D1310	D1310	N508206031	ESD1310	ATD1310HD	D-Elsa II	MMD1310	MMD1310AF
8425-D1310	D1310	N508206051	ESD1310	ATD1310HD	D-Elsa II	MMD1310	MMD1310AF
8425-D1310	D1310	N508206052	ESD1310	ATD1310HD	D-Elsa II	MMD1310	MMD1310AF
8425-D1310	D1310	WVA29053	ESD1310	ATD1310HD	D-Elsa II	MMD1310	MMD1310AF
8425-D1310	D1310	WVA29131	ESD1310	ATD1310HD	D-Elsa II	MMD1310	MMD1310AF
8425-D1310	D1310	81508206031	ESD1310	ATD1310HD	D-Elsa II	MMD1310	MMD1310AF
8426-D1311	D1311	04-01-1113	ESD1311	ATD1311HD	EX225H2	MMD1311	MMD1311AF
8426-D1311	D1311	F280	ESD1311	ATD1311HD	EX225H2	MMD1311	MMD1311AF
8426-D1311	D1311	KIT2252H2BE	ESD1311	ATD1311HD	EX225H2	MMD1311	MMD1311AF
8426-D1311	D1311	KIT2252H2CE	ESD1311	ATD1311HD	EX225H2	MMD1311	MMD1311AF
8426-D1311	D1311	KIT2252H2DA	ESD1311	ATD1311HD	EX225H2	MMD1311	MMD1311AF
8426-D1311	D1311	WVA29174	ESD1311	ATD1311HD	EX225H2	MMD1311	MMD1311AF
8427-D1312	D1312	04-01-1007	ESD1312	ATD1312HD	D-Lisa	MMD1312	MMD1312AF
8427-D1312	D1312	04-01-1019	ESD1312	ATD1312HD	D-Lisa	MMD1312	MMD1312AF
8427-D1312	D1312	4011019	ESD1312	ATD1312HD	D-Lisa	MMD1312	MMD1312AF
8427-D1312	D1312	68932068NZP	ESD1312	ATD1312HD	D-Lisa	MMD1312	MMD1312AF
8427-D1312	D1312	F120	ESD1312	ATD1312HD	D-Lisa	MMD1312	MMD1312AF
8427-D1312	D1312	MBP5044G	ESD1312	ATD1312HD	D-Lisa	MMD1312	MMD1312AF
8427-D1312	D1312	N508206046	ESD1312	ATD1312HD	D-Lisa	MMD1312	MMD1312AF

DISC PAD CROSS REFERENCE

Complete FMSI	Steel FMSI	OE #	Fras-Le #'s	Raybestos #'s	Application	All Makes #'s Without Hardware	All Makes #'s With Hardware
8427-D1312	D1312	N508206047	ESD1312	ATD1312HD	D-Lisa	MMD1312	MMD1312AF
8427-D1312	D1312	WVA29090	ESD1312	ATD1312HD	D-Lisa	MMD1312	MMD1312AF
8435-D1323	D1323	621371		ATD1323HD	EX225H3	MMD1323	MMD1323AF
8435-D1323	D1323	F281		ATD1323HD	EX225H3	MMD1323	MMD1323AF
8435-D1323	D1323	KIT225211		ATD1323HD	EX225H3	MMD1323	MMD1323AF
8435-D1323	D1323	KIT2252H3BE		ATD1323HD	EX225H3	MMD1323	MMD1323AF
8435-D1323	D1323	KIT2252H3CE		ATD1323HD	EX225H3	MMD1323	MMD1323AF
8479-D1369	D1369	328863ETN	ESD1369	ATD1369HD	ADB22X, SK7, SN7	MMD1369	MMD1369AF
8479-D1369	D1369	802078	ESD1369	ATD1369HD	ADB22X, SK7, SN7	MMD1369	MMD1369AF
8479-D1369	D1369	K070796	ESD1369	ATD1369HD	ADB22X, SK7, SN7	MMD1369	MMD1369AF
8479-D1369	D1369	K092976			ADB22X, SK7, SN7	MMD1369	MMD1369AF
8479-D1370	D1369	K054101			ADB22X, SK7, SN7	MMD1369	MMD1369AF
8479-D1369	D1369	F292	ESD1369	ATD1369HD	ADB22X, SK7, SN7	MMD1369	MMD1369AF
8479-D1369	D1369	HVG328863	ESD1369	ATD1369HD	ADB22X, SK7, SN7	MMD1369	MMD1369AF
8479-D1369	D1369	WVA29158	ESD1369	ATD1369HD	ADB22X, SK7,	MMD1369	MMD1369AF
8479-D1369	D1369	802078BXW	ESD1369	ATD1369HD	ADB22X	MMD1369	MMD1369AF
8480-D1370	D1370	4011113		ATD1370HD	EX225L2	MMD1370	MMD1370AF
8480-D1370	D1370	KIT2252L2CD		ATD1370HD	EX225L2	MMD1370	MMD1370AF
8480-D1370	D1370			ATD1370HD	EX225L2	MMD1370	MMD1370AF
8480-D1370	D1370			ATD1370HD	EX225L2	MMD1370	MMD1370AF
8480-D1370	D1370			ATD1370HD	EX225L2	MMD1370	MMD1370AF
8515-D1407	D1407	10714240	ESD1407	ATD1407HD	D-Elsa I	MMD1407	MMD1407AF
8515-D1407	D1407	29020	ESD1407	ATD1407HD	D-Elsa I	MMD1407	MMD1407AF
8515-D1407	D1407	282-1-4-T7400	ESD1407	ATD1407HD	D-Elsa I	MMD1407	MMD1407AF
8515-D1407	D1407	2903028214T7400	ESD1407	ATD1407HD	D-Elsa I	MMD1407	MMD1407AF
8515-D1407	D1407	508205020	ESD1407	ATD1407HD	D-Elsa I	MMD1407	MMD1407AF
8515-D1407	D1407	508206016	ESD1407	ATD1407HD	D-Elsa I	MMD1407	MMD1407AF
8515-D1407	D1407	F072	ESD1407	ATD1407HD	D-Elsa I	MMD1407	MMD1407AF
8515-D1407	D1407	MDP5110	ESD1407	ATD1407HD	D-Elsa I	MMD1407	MMD1407AF
8515-D1407	D1407	N508206004	ESD1407	ATD1407HD	D-Elsa I	MMD1407	MMD1407AF
8515-D1407	D1407	N508206016	ESD1407	ATD1407HD	D-Elsa I	MMD1407	MMD1407AF
8515-D1407	D1407	N508206034	ESD1407	ATD1407HD	D-Elsa I	MMD1407	MMD1407AF
8515-D1407	D1407	N508206035	ESD1407	ATD1407HD	D-Elsa I	MMD1407	MMD1407AF
8515-D1407	D1407	N508206036	ESD1407	ATD1407HD	D-Elsa I	MMD1407	MMD1407AF
8515-D1407	D1407	N508206044	ESD1407	ATD1407HD	D-Elsa I	MMD1407	MMD1407AF
8515-D1407	D1407	N508206046	ESD1407	ATD1407HD	D-Elsa I	MMD1407	MMD1407AF
8515-D1407	D1407	N508206047	ESD1407	ATD1407HD	D-Elsa I	MMD1407	MMD1407AF
8515-D1407	D1407	N508226011K	ESD1407	ATD1407HD	D-Elsa I	MMD1407	MMD1407AF
8515-D1407	D1407	SR7017173	ESD1407	ATD1407HD	D-Elsa I	MMD1407	MMD1407AF
8515-D1407	D1407	T-3012-N-6011	ESD1407	ATD1407HD	D-Elsa I	MMD1407	MMD1407AF
8515-D1407	D1407	WVA29030	ESD1407	ATD1407HD	D-Elsa I	MMD1407	MMD1407AF

DISC PAD CROSS REFERENCE

Complete FMSI	Steel FMSI	OE #	Fras-Le #'s	Raybestos #'s	Application	All Makes #'s Without Hardware	All Makes #'s With Hardware
8515-D1407	D1407	WVA29083	ESD1407	ATD1407HD	D-Elsa I	MMD1407	MMD1407AF
8577-D1441	D1441	976003N			ESD225		
8771-D1560	D1560	1078439	ESD1560	ATD1560HD	D Duco	MMD1560	MMD1560AF
8771-D1560	D1560	20768092	ESD1560	ATD1560HD	D Duco	MMD1560	MMD1560AF
8771-D1560	D1560	20918891	ESD1560	ATD1560HD	D Duco	MMD1560	MMD1560AF
8771-D1560	D1560	3095396	ESD1560	ATD1560HD	D Duco	MMD1560	MMD1560AF
8771-D1560	D1560	MDP1388	ESD1560	ATD1560HD	D Duco	MMD1560	MMD1560AF
8771-D1560	D1560	WVA29125	ESD1560	ATD1560HD	D Duco	MMD1560	MMD1560AF
8577-D1441	D1441		ESD1441				
8733-D1525	D1525		ESD1525				
8735-D1527	D1527		ESD1527				

DISC PAD CROSS REFERENCE FOR WABCO

Complete FMSI	Steel FMSI	OE #	Bremserl	Application	All Makes #'s Without Hardware	All Makes #'s With Hardware
8727-1518	D1518	12 999 806	80100020	Wabco Pan 17	MMD1518	MMD1518AF
8727-1518	D1518	12 999 703VT		Wabco Pan 17	MMD1518	MMD1518AF
		12 999 743VT		Wabco Pan 17		
8556-D1438F	D1438F	261112999747VT	80100011	Wabco Pan 19-1 Plus on Mack	MMD1438	MMD1438AF
8556-D1438F	D1438F	12 999 737VT	80100011	Wabco Pan 19	MMD1438	MMD1438AF
N/A	N/A	12 999 796		Wabco Pan 22-1 Plus	N/A	MMDWP22AF

ROTOR CROSS REFERENCE

Meritor #	Dura Brake	Bendix / Knorr	Gunite Production/ Aftermarket	Webb	MCI	Prevost	Van Hool
M44D76642	76642	K034497					
M44D76641	76641	802669				611300	
M44D76612	76612	K021958					
M44D76603	76603	1137415N				611455 611188	
M44D76604	76604	1137986 K021959				611457 621672	
M44D76613	76613	10016195 10018609					
M44D76617	76617	802082					
M44D76692	76692	802569					
M44D76618	76618	802081					
	76621						N508030038 N508030040
68326014	56641			54220P	15 02 1067 15 02 1043		
23-123642-002	56642			55060P	15 03 1012		
3218-Z-1404	76601A				15 05 1010		
23-123647-002							
3218-A-131			R6060/R6201				
3218-F-266			R6060AM R6201AM				
3218-G-111			R6088				
3218-H-138			R6088A / R6202 D6172 / E6173				
3218-J-1076							
3218-K-1415			R6182A				
3218-K-167			R6086 R6198				
3218-N-1054							
3218-N-1366			R6182				
3218-P-1186							
3218-Q-1447	76604	1137986 K021959				611457 621672	
3218-S-1007							
3218-S-201			R6126				
3218-U-1009							
3218 X 154			R6084 / R6204				
3218-Z-156			R6085 / 6200				
M44D6206			R6206M / Haldex				

Brake Assy part no (1)	Brake Size	Chamber angle (Deg)	Hand	Carrier Mounting Style			Service Caliper Assy	Pad geometry compatibility	Pad Retainer kit	
				SHO/OPP	Axial/Radial	Number of Holes			Thread Size	KIT225210
"(1) Match the first 9 digits of the part number	H/L						Without Pads, Electronic Pad Wear Indicators and Chambers			
See page 14 for caliper options (designated by last 3 numbers of full caliper assembly part number i.e EX225H301XX										
EX225H201	H	0	SHO	Axial - A	6	M20X1.5	EX225H201XX000	H-A	X	
EX225H202	H	0	OPP	Axial - A	6	M20X1.5	EX225H202XX000	H-A	X	
EX225H203	H	0	SHO	Axial - A	6	M20X1.5	EX225H203XX000	H-A	X	
EX225H204	H	0	OPP	Axial - A	6	M20X1.5	EX225H204XX000	H-A	X	
EX225H205	H	0	SHO	Axial - B	8	M20X1.5	EX225H205XX000	H-A	X	
EX225H206	H	0	OPP	Axial - B	8	M20X1.5	EX225H206XX000	H-A	X	
EX225H207	H	0	SHO	Axial - C	6	M16X1.5	EX225H207XX000	H-A	X	
EX225H208	H	0	OPP	Axial - C	6	M16X1.5	EX225H208XX000	H-A	X	
EX225H217	H	0	SHO	Axial - E	6	M20X2	EX225H217XX101S	H-B	X	
EX225H218	H	0	OPP	Axial - E	6	M20X2	EX225H218XX101S	H-B	X	
EX225H213							EX225H213XX000			
EX225H214							EX225H214XX000			
EX225H215	H	12	SHO	Radial - A	4	M20X1.5	EX225H215XX101	H-B	X	
EX225H216	H	12	OPP	Radial - A	4	M20X1.5	EX225H216XX101	H-B	X	
EX225H301	H	0	SHO	Axial - A	6	M20X1.5	EX225H301XX000	H-A	X	
EX225H302	H	0	OPP	Axial - A	6	M20X1.5	EX225H302XX000	H-A	X	
EX225H305	H	0	SHO	Axial - B	8	M20X1.5	EX225H305XX000	H-A	X	
EX225H306	H	0	OPP	Axial - B	8	M20X1.5	EX225H306XX000	H-A	X	
EX225H307	H	0	SHO	Radial - C	4	M16X1.5	N/A	H-A	X	
EX225H308	H	0	OPP	Radial - C	4	M16X1.5	N/A	H-A	X	
EX225H309	H	0	SHO	Radial - C	4	M16X1.5	EX225H309XX000	H-A	X	
EX225H310	H	0	OPP	Radial - C	4	M16X1.5	EX225H310XX000	H-A	X	
EX225H401	H	90	SHO	Axial - A	6	M20X1.5	EX225H401XX000	H-A	X	
EX225H402	H	90	OPP	Axial - A	6	M20X1.5	EX225H402XX000	H-A	X	
EX225H403	H	90	SHO	Axial - C	6	M16X1.5	N/A	H-A	X	
EX225H404	H	90	OPP	Axial - C	6	M16X1.5	N/A	H-A	X	
EX225H405	H	90	SHO	Axial - B	8	M20X1.5	EX225H405XX000	H-A	X	
EX225H406	H	90	OPP	Axial - B	8	M20X1.5	EX225H406XX000	H-A	X	
EX225H601	H	90	SHO	Axial - A	6	M20X1.5	EX225H601XX000	H-A	X	
EX225H602	H	90	OPP	Axial - A	6	M20X1.5	EX225H602XX000	H-A	X	
EX225H609	H	90	SHO	Radial - C	4	M16X1.5	N/A	H-A	X	
EX225H610	H	90	OPP	Radial - C	4	M16X1.5	N/A	H-A	X	
EX225L201	L	0	SHO	Axial - D	4	M20X1.5	EX225L201XX000	L-A	X	
EX225L202	L	0	OPP	Axial - D	4	M20X1.5	EX225L202XX000	L-A	X	
EX225L205	L	0	SHO	Radial - B	4	M20X1.5	N/A	L-B	X	
EX225L206	L	0	OPP	Radial - B	4	M20X1.5	N/A	L-B	X	
EX225L207	L	0	SHO	Radial - B	4	M20X1.5	N/A	L-B	X	
EX225L208	L	0	OPP	Radial - B	4	M20X1.5	N/A	L-B	X	

Electronic Pad Wear Warning Indicator (PWVI)		Visual Wear Indicator (VWI)		Hardware								
Built Prior to 10/09/12	Built After 10/09/12		KIT225207	KIT225255	Piston Boot	Slide Pin			Universal Slide Pin Hardware	Bushing Kit	Protective Cap	Brake Chamber Seal
KIT225207ES	KIT225250	KIT225251										
Tray	Sideclip		Plastic	Metal	68324854	KIT225200	KIT225200L	KIT225233	KIT225256	KIT225221	68322655PK10	68323746PK10
X	X		X	Opt	X	X			X	X	X	X
X		X	X	Opt	X	X			X	X	X	X
X	X		X	Opt	X	X			X	X	X	X
X		X	X	Opt	X	X			X	X	X	X
X	X		X	Opt	X	X			X	X	X	X
X		X	X	Opt	X	X			X	X	X	X
X	X		X	Opt	X	X			X	X	X	X
X		X	X	Opt	X	X			X	X	X	X
X			X	Opt	X	X			X	X	X	X
			X	Opt	X	X			X	X	X	X
			X	Opt	X	X			X	X	X	X
			X	Opt	X	X			X	X	X	X
			X	Opt	X	X			X	X	X	X
X	X		X	Opt	X	X			X	X	X	X
X		X	X	Opt	X	X			X	X	X	X
X			X	Opt	X	X			X	X	X	X
X	X		X	Opt	X	X			X	X	X	X
X		X	X	Opt	X	X			X	X	X	X
X			X	Opt	X	X			X	X	X	X
X	X		X	Opt	X	X			X	X	X	X
X		X	X	Opt	X	X			X	X	X	X
X			X	Opt	X	X			X	X	X	X
	X		X	Opt	X	X			X	X	X	X
		X	X	Opt	X	X			X	X	X	X
X			X	Opt	X		X		X	X	X	X
X			X	Opt	X		X		X	X	X	X
X			X	Opt	X		X		X	X	X	X
X			X	Opt	X		X		X	X	X	X
X			X	Opt	X		X		X	X	X	X
X			X	Opt	X		X		X	X	X	X

Brake Assy part no (1) "(1) Match the first 9 digits of the part number See page 14 for caliper options (designated by last 3 numbers of full caliper assembly part number i.e EX225H301XX	Brake Size	Chamber angle (Deg)	Hand	Carrier Mounting Style			Service Caliper Assy	Pad geometry compatibility	Pad Retainer kit	
	H/L			SHO/OPP	Axial/Radial	Number of Holes	Thread Size		Without Pads, Electronic Pad Wear Indicators and Chambers	KIT225210
EX225L209	L	12	SHO	Radial - B	4	M20X1.5	N/A	L-B	X	
EX225L210	L	12	OPP	Radial - B	4	M20X1.5	N/A	L-B	X	
EX225L211	L	0	SHO	Radial - B	4	M20X1.5	N/A	L-B	X	
EX225L212	L	0	OPP	Radial - B	4	M20X1.5	N/A	L-B	X	
EX225L213	L	4	SHO	Axial - D		M20X1.5	EX225L214XX000	L-A	X	
EX225L214	L	4	SHO	Axial - D		M20X1.5	EX225L214XX000	L-A	X	
EX225L235	L	4	SHO	Axial - F	6	M20X2	EX225L235XX000	L-C	X	
EX225L236	L	4	OPP	Axial - F	6	M20X2	EX225L236XX000	L-C	X	
EX225L237	L	4	SHO	Axial - F	6	M20X2	EX225L237XX000	L-C	X	
EX225L238	L	4	OPP	Axial - F	6	M20X2	EX225L238XX000	L-C	X	
EX225L219	L	12	SHO	Radial - B	4	M20X1.5	EX225L219XX000	L-C	X	
EX225L220	L	12	OPP	Radial - B	4	M20X1.5	EX225L220XX000	L-C	X	
EX225L221	L	4	SHO	Radial - B	4	M20X1.5	EX225L221XX000	L-C	X	
EX225L222	L	4	OPP	Radial - B	4	M20X1.5	EX225L222XX000	L-C	X	
EX225L239	L	4	SHO	Axial - F	6	M20X2	EX225L239XX000	L-D	X	
EX225L240	L	4	OPP	Axial - F	6	M20X2	EX225L240XX000	L-D	X	
EX225L223	L	12	SHO	Radial - B	4	M20X1.5	EX225L223XX000	L-D	X	
EX225L224	L	12	OPP	Radial - B	4	M20X1.5	EX225L224XX000	L-D	X	
EX225L225	L	4	SHO	Radial - B	4	M20X1.5	EX225L225XX000	L-D	X	
EX225L226	L	4	OPP	Radial - B	4	M20X1.5	EX225L226XX000	L-D	X	
EX225L245	L	4	SHO	Axial - D		M20X1.5	EX225L214XX000	L-A	X	
EX225L246	L	4	SHO	Axial - D		M20X1.5	EX225L214XX000	L-A	X	

Electronic Pad Wear Warning Indicator (PWWI)		Visual Wear Indicator (VWI)		Hardware								
Built Prior to 10/09/12	Built After 10/09/12		KIT225207	KIT225255	Piston Boot	Slide Pin			Universal Slide Pin Hardware	Bushing Kit	Adjuster Cover	Brake Chamber Seal
	KIT225207ES	KIT225250				KIT225251						
Tray	Sideclip		Plastic	Metal	68324854	KIT225200	KIT225200L	KIT225233	KIT225256	KIT225221	68322655PK10	68323746PK10
X			X	Opt	X		X		X	X	X	X
X			X	Opt	X		X		X	X	X	X
			X	Opt	X		X		X	X	X	X
			X	Opt	X		X		X	X	X	X
X			X	Opt	X		X		X	X	X	X
X			X	Opt	X		X		X	X	X	X
			X	Opt	X			X	X	X	X	X
			X	Opt	X			X	X	X	X	X
			X	Opt	X			X	X	X	X	X
			X	Opt	X			X	X	X	X	X
			X	Opt	X			X	X	X	X	X
			X	Opt	X			X	X	X	X	X
			X	Opt	X			X	X	X	X	X
			X	Opt	X			X	X	X	X	X
			X	Opt	X			X	X	X	X	X
			X	Opt	X			X	X	X	X	X
			X	Opt	X			X	X	X	X	X
			X	Opt	X			X	X	X	X	X
			X	Opt	X			X	X	X	X	X
			X	Opt	X			X	X	X	X	X
			X	Opt	X			X	X	X	X	X
X			X	Opt	X		X		X	X	X	X
X			X	Opt	X		X		X	X	X	X

PAD GEOMETRY COMPATIBILITY

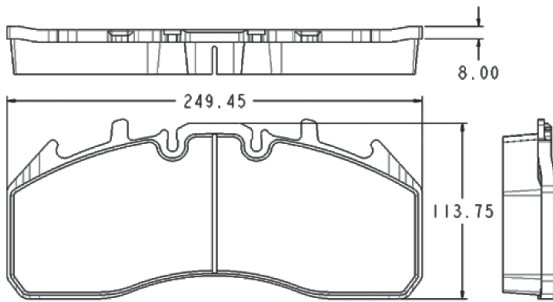
FRICITION MATERIAL MATRIX

Friction Properties	Rotor Wear	Moderate	High	Low	High
	Pad Life	Moderate	Moderate	High	Low
	Torque	Moderate	Moderate	Low	High

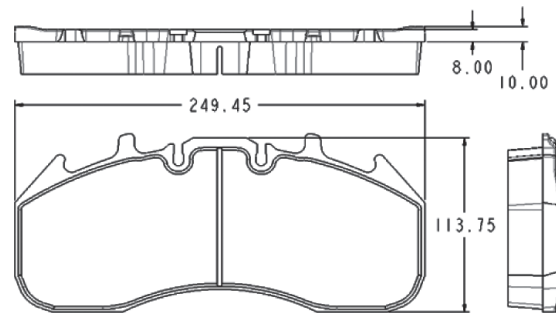
DISC PAD KITS

	Rotor Size	BA	CD	CE	DA
H-A	434MM	KIT2252H2BA	KIT2252H2CD	KIT2252H2CE	KIT2252H2DA
H-B	434MM	X	X	X	X
L-A	434MM	X	KIT2252L2CD	X	X
L-B	410MM	X	X	X	X
L-C	434MM	X	X	X	X
L-D	410MM	X	X	X	X

H-A

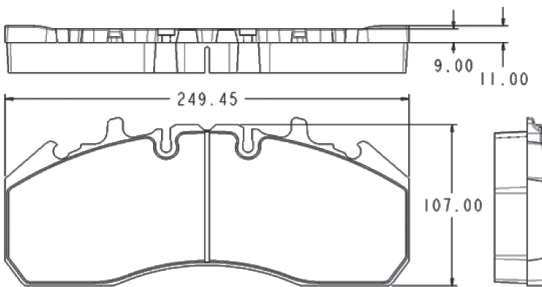


FMSI D-1311

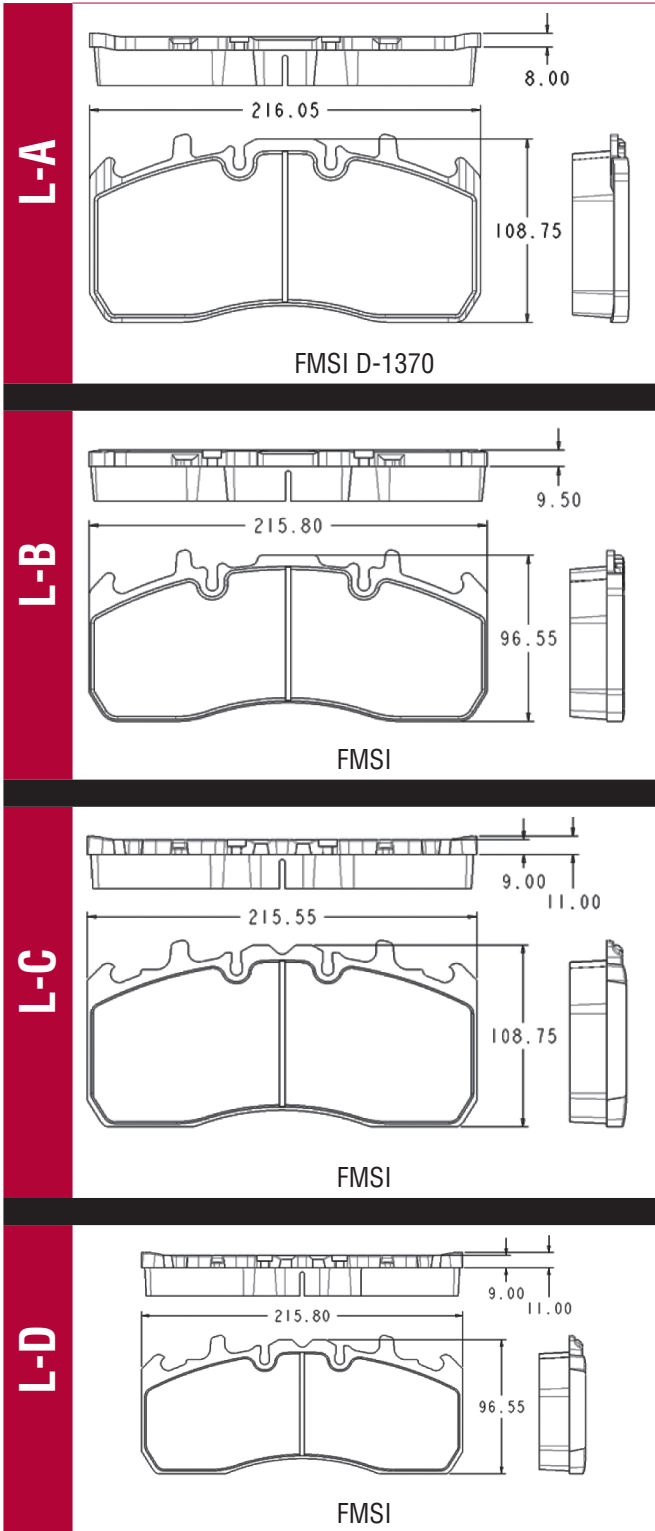


FMSI D-1690

H-B



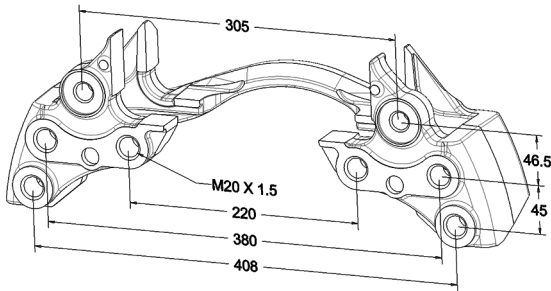
PAD GEOMETRY COMPATIBILITY



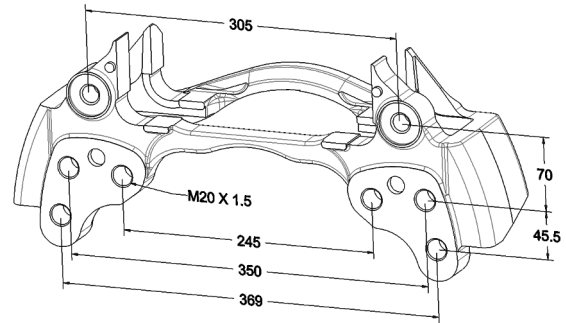
MOUNTING STYLES

MOUNT	PART NUMBER	MODELS	SIZE
Axial - A	3215G1593	H201, 202, 301, 302, 401, 402, 601, 602	M20 X 1.5
	3215D1720	H203, 204	M20 X 1.5
Axial - B	3215W1791	H205, 206, 305, 306, 405, 406	M20 X 1.5
Axial - C	3215M1833	H207, 208, 403, 404	M16 X 1.5
Axial - D	3215D1590	L201, 202, 203, 204, 245, 246	M20 X 1.5
Axial - E	68327466	H217, , 213, 214, 218	M20 X 2.0
	68327462	L239, 240	M20 X 2.0
Axial - F	68327463	L237, 238	M20 X 2.0
	68327465	L235, 236	M20 X 2.0
	68327178	H215, 216	M20 X 1.5
Radial - A	68326850	L205, 206, 207, 208, 209, 210, 211, 212	M20 X 1.5
	68327173	L219, 220, 221, 222	M20 X 1.5
Radial - B	68327174	L223, 224, 225, 226	M20 X 1.5
	3215P1914	H209, 210, 307, 308, 309, 310, 409, 410, 609, 610	M16 X 1.5

AXIAL A

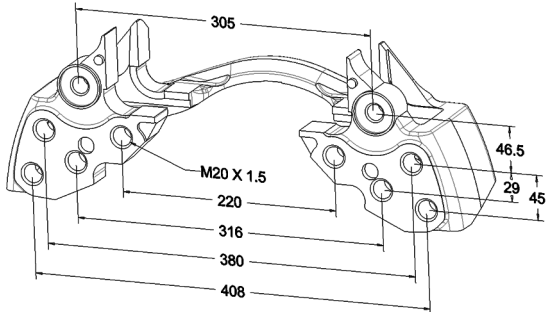


3215G1593



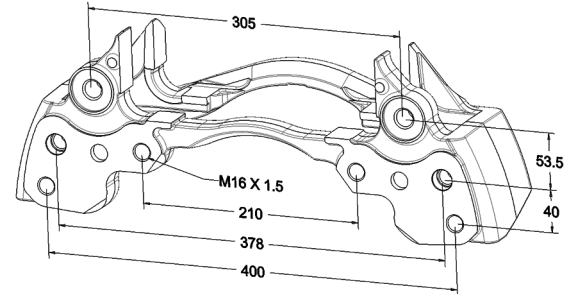
3215D1720

AXIAL B



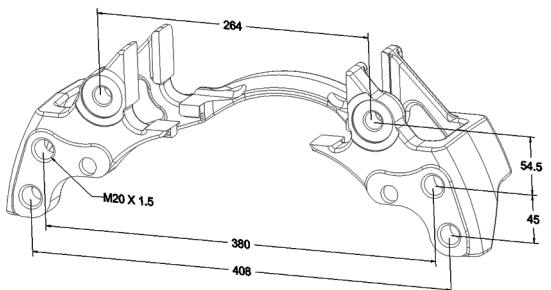
3215W1791

AXIAL C



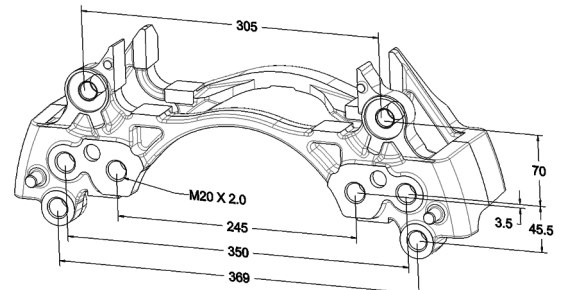
3215M1833

AXIAL D



3215D1590

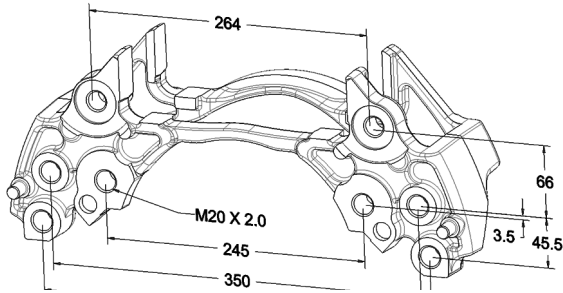
AXIAL E



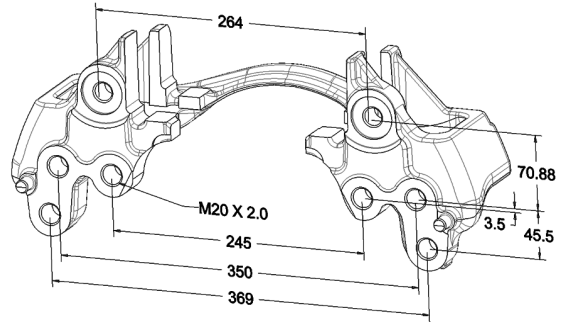
68327466

MOUNTING STYLES

AXIAL F

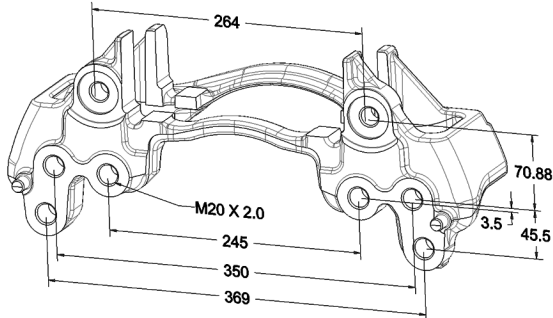


68327462



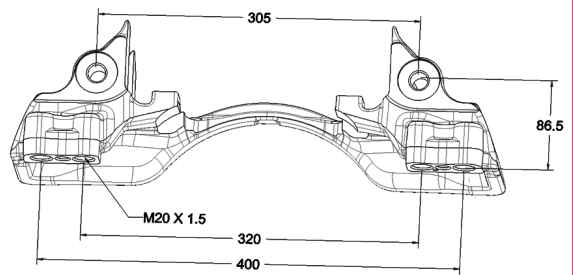
63827463

AXIAL F



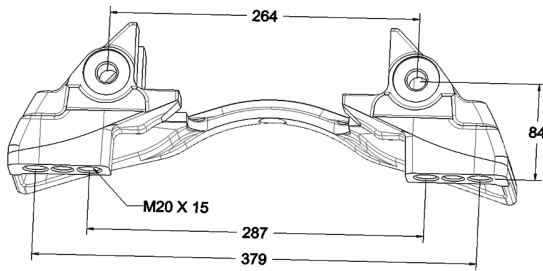
6827465

RADIAL A

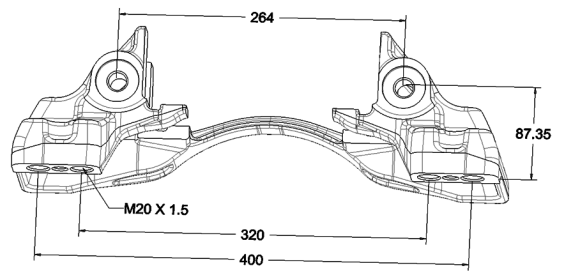


68327178

RADIAL B

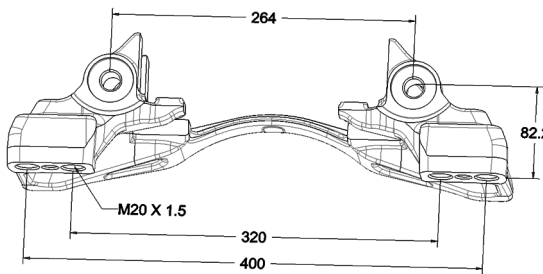


68326850



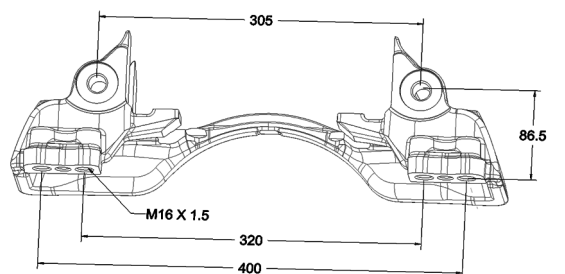
63827173

RADIAL B



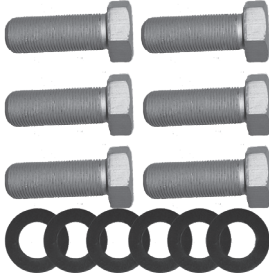
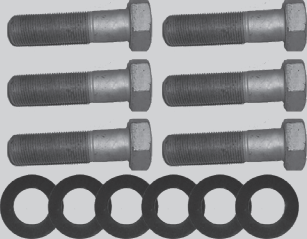
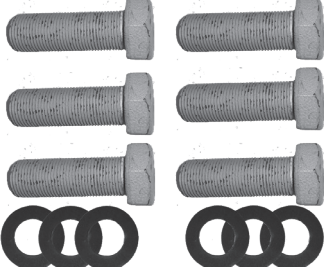
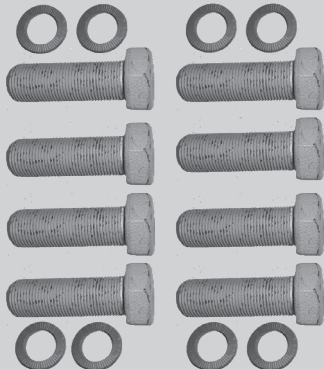
68327174

RADIAL C



3215P1914

CALIPER TO TORQUE PLATE MOUNTING KIT

Part Number	Part Description			Qty.	Image
	Thread (A)	Head (C)	Thread Length (B)		
KIT225205	M20 X 1.5-6g	Hex	55.0mm	6	
KIT225206	M20 X 1.5-6g	Hex	75.0mm	6	
KIT225208	M20 X 1.5-6g	Hex	60.0mm	6	
KIT225252	M16 X 1.5-6g	Hex	60.0mm	8	

CALIPER TO TORQUE PLATE MOUNTING KIT

Part Number	Part Description			Qty.
	Thread (A)	Head (C)	Thread Length (B)	

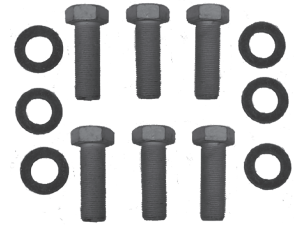
KIT225257

M20 X 2-6g

Hex

60.0mm

6



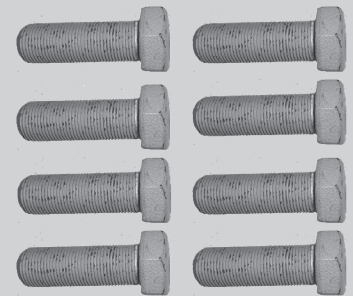
41X-1801

M20 X 1.5-6g

Hex

60.0mm

8



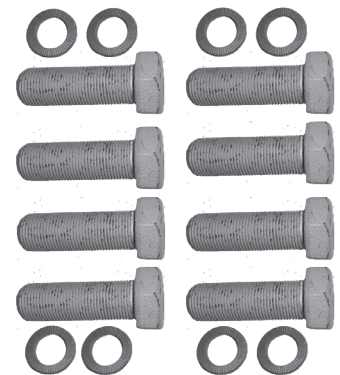
KIT225258

M20 X 1.5-6g

Hex

80.0mm

8



AIR DISC BRAKE SUGGESTED STOCKING

Part Number	Description	Stocking Quantity	
		Good	Better
Disc Pads			
KIT2252H2BA	Meritor EX225H2 with Hardware Genuine MA703	3	5
KIT2252H2CD	Meritor EX225H2 with Hardware Genuine MA761	3	5
KIT2252H3CE	Meritor EX225H3 with Hardware Genuine MA721	3	5
KIT2252H2DA	Meritor EX225H2 with Hardware Genuine MA741	3	5
KIT2252L2CD	Meritor EX225L2 with Hardware Genuine MA761	2	3
MMD1203AF	Bendix / Knorr SB7 with Hardware	2	3
MMD1310AF	Meritor D-Elsa II with Hardware	1	2
MMD1311AF	Meritor EX225H2 with Hardware	0	1
68932068NZP	Meritor D-Lisa with Hardware Genuine	2	4
MMD1369AF	Bendix / Knorr ADB22X, SK7, SN7 with Hardware	2	2
MMD1370AF	Meritor EX225L2 with Hardware	1	1
MMD1438AF	Wabco Pan 19 with Hardware	0	0
12 999 737VT	Wabco Pan 19 with Hardware Genuine	2	2
MMD1518AF	Wabco Pan 17 with Hardware	0	0
12-999-703VT	Wabco Pan 17 with Hardware Genuine	2	3
MMD1525AF	Meritor DX195 with Hardware	0	0
KIT195020	Meritor DX195 with Hardware Genuine MA705	1	2
KIT195021	Meritor DX195 with Hardware Genuine MA721	1	2
KIT225020	Meritor DX225 with Hardware Genuine MA705	1	2
KIT225021	Meritor DX225 with Hardware Genuine MA721	0	0
KIT15625PM	ADB 1560 Brake Pad Kit	3	5
KIT15627PM	ADB 1560 Brake Pad Kit	1	3
12 999 769	Wabco Pan 22 with Hardware Genuine	1	2
MMDWP22AF	Wabco Pan 22 with Hardware	0	1

AIR DISC BRAKE SUGGESTED STOCKING

Part Number	Description	Stocking Quantity	
		Good	Better
Rotors			
3218 A 131	ADB 1560	2	4
3218 S 1007	ADB 1560 Ductile	2	4
3218 H 138	ADB 1560	2	4
3218 N 1054	ADB 1560 Ductile	0	0
3218 K 167	ADB 1560	4	4
3218 J 1076	ADB 1560 Ductile	2	5
3218 K 1415	DX195	0	0
3218 N 1366	DX195, DX225	0	0
3218 Z 156	ADB 1560	4	4
3218 Z 1404	ADB Rotor	4	4
3218 P 1186	ADB 1560 Ductile	0	0
3218 Q 1447	Knorr Bendix	0	0
68326014	EX225	4	4
23 123642 002	EX225	4	6
23 123647 002	EX225	0	0
23 123725 002	EX225	0	0
M44D6206	Haldex	2	2
M44D71601	Wabco Pan 19	2	2
M44D75180	Wabco Pan 17	2	4
M44D76603	Bendix / Knorr	2	4
M44D76604	Bendix / Knorr	2	4
M44D76612	Bendix / Knorr	2	2
M44D76613	Wabco Pan 22	2	4
M44D76617	Bendix / Knorr	2	2
M44D76618	Bendix / Knorr	2	2
M44D76641	Bendix / Knorr	2	4
M44D76642	Bendix / Knorr	2	2
M44D76692	Bendix / Knorr	2	2

AIR DISC BRAKE SUGGESTED STOCKING

Part Number	Description	Stocking Quantity	
		Good	Better
Hardware			
KIT225210	EX+ Disc Pad retaining Kit	6	10
KIT225237	EX+ Disc Pad retaining Kit	6	10
KIT225256	EX+ Universal Hardware Kit	6	6
68323746PK10	Brake Chamber Seal	1	2
KIT225207	Visual Wear Indicator - Plastic	1	2
KIT225255	Visual Wear Indicator - Metal	1	2
2230 M 195	1560 Piston	0	2
KIT15001	1560 Kit	2	2
KIT15003	1560 Kit	1	2
KIT15006RH	1560 Kit	1	2
KIT15007LH	1560 Kit	1	2
KIT15010	1560 Kit	2	2
KIT15011	1560 Kit	0	0
KIT15012	1560 Kit	0	0
KIT15015	1560 Kit	0	0
KIT15016	1560 Kit	0	0
KIT195013	DX195 Kit	0	0
KIT195011	DX195 Kit	0	0
MCK1154	DX195 Kit	0	0
MCK1159	DX195 Kit	0	0
MCK1171	DX Kit	0	0
MCK1173	DX Kit	0	0
MCK1189	DX Kit	0	0
MCK1192	DX Kit	0	0
MCK1196	DX Kit	0	0
MCK1294	DX Kit	0	0
MCK1375	DX Kit	0	0
12 999 699VT	Wabco Pan 17 Slide Pin Kit	0	1
640 225 9212	Wabco Pan 19 / 22 Slide Pin Kit	0	1
12 999 755VT	Wabco Pan Disc Pad Wear Indicator (electronic)	0	1

AIR DISC BRAKE SUGGESTED STOCKING

Part Number	Description	Stocking Quantity	
		Good	Better
Brake Chambers			
KIT195006	DX Chamber Type 16	0	0
KIT195015A	DX Chamber Type 24	0	0
KIT195018A	DX Chamber Type 24	0	0
1616HTLD2-3627	DISC BRAKE T-1616 HOT, 2.50"	2	4
1816HTND2-3669	DISC BRAKE T-1816 HOT, 2.50"	2	4
2016HTND2-3710	DISC BRAKE T-2016 HOT, 2.50"	2	4
1824HTND2-3628	DISC BRAKE T-1824 HOT, 2.50"	2	4
2024HTND2-3626	DISC BRAKE,T2024, 2.50	4	6
2424HTND2-3629	DISC BRAKE T-2424 HOT, 2.50"	4	6
20HSCND2-3630	20 HOT SERVICE CHAMBER DISC 2.	4	6
22HSCND2-3631	20 HOT SERVICE CHAMBER DISC 2.	4	6
24HSCND2-3632	DISC SERVICE CHAMBER T-24 2.50	4	6
New Calipers			
A 3263 M 1157S	Dura-Master 1560		0
A1 3263 M 1157	Dura-Master 1560 Left Hand		0
A2 3263 M 1157	Dura-Master 1560 Right Hand		0
A3 3263 M 1157	Dura-Master 1560 Left Hand		0
A4 3263 M 1157	Dura-Master 1560 Right Hand		0
DX19539	DX195		0
DX19540	DX195		0
DX225211001K	DX225		0
DX225211002K	DX225		0
40 175 072	Wabco Pan 17		0
40 175 073	Wabco Pan 17		0
40 195 037	Wabco Pan 19		0
40 195 038	Wabco Pan 19		0
40 225 015	Wabco Pan 22		0
40 225 016	Wabco Pan 22		0
Remanufactured Calipers			
EX225H201R	2XM3004		0
EX225H202R	2XM3005		0
EX225H301R	2XM3000		0
EX225H302R	2XM3001		0

OPTIONAL SHIELD

Description	Qty.	Comments
-------------	------	----------

3264-Q-1577 — Pad Shield Kit

Pad Shield	1	
------------	---	--



Rotor Shield Kit

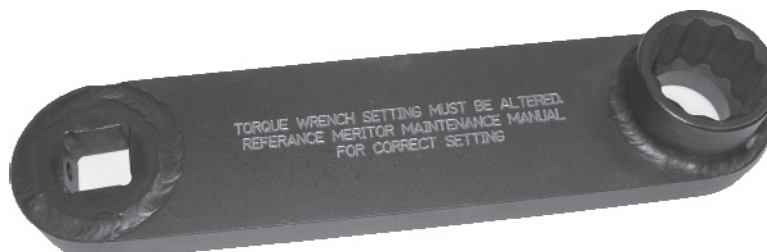
- **A3236-G-267 — Axial Rotor Shield (knuckle)**
- **A3236-H-268 — Axial Rotor Shield (torque plate)**
- **A3236-J-270 — Radial Rotor Shield**

Shield	1	
Bolts	3 or 4	Not Available Separately
Mounting Clips	3 or 4	

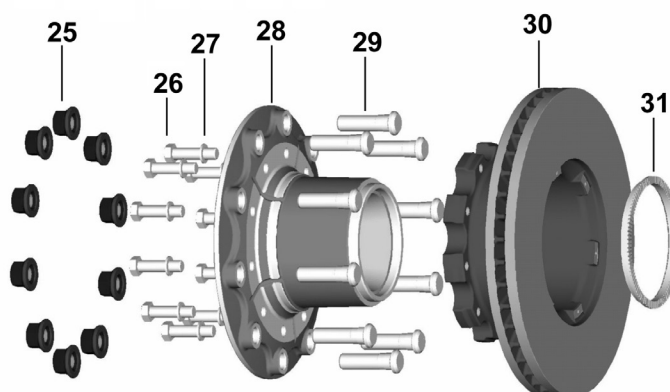


TOOLS NEEDED TO SERVICE EX+ BRAKES

MST225 5001 — ADB 225 Torque Wrench Extension Adapter



EX+ AIR DISC BRAKE FRONT HUB ASSEMBLIES

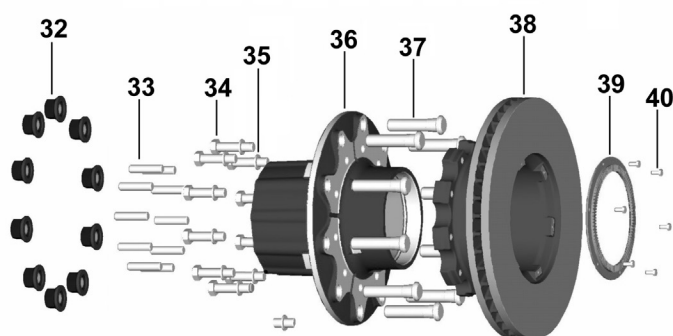


Item	Part Number	Part Description	Qty.	Comments
17-15986-1005				
25	R006000A	Flanged Wheel Nuts	10	
26	S-11016P-2	Bolts	10	
27	08-201941	Washers	10	
28	05-15986-004	Front hub assy. less rotor with wheel studs	1	Alum Wheel with ABS
29	09-001989	Wheel Studs	10	For Alum Wheels
30	23-123642-002	Rotor	1	
31	09-002209	ABS Tone Ring	1	
17-15988-1001				
25	R006000A	Flanged Wheel Nuts	10	
26	S-11016M-2	Bolts	10	
27	08-201941	Washers	10	
28	05-15988-001	Front hub assy. less rotor with wheel studs	1	Alum Wheel with ABS
29	09-002005	Wheel Studs	10	For Alum Wheel
30	23-123642-002	Rotor	1	
31	09-002206	ABS Tone Ring	1	
17-15988-1002				
25	R006000A	Flanged Wheel Nuts	10	
26	S-11016M-2	Bolts	10	
27	08-201941	Washers	10	
28	05-15988-002	Front hub assy. less rotor with wheel studs	1	Alum Wheel with ABS
29	09-001988	Wheel Studs	10	For Steel Wheel
30	23-123642-002	Rotor	1	
31	09-002206	ABS Tone Ring	1	

EX+ AIR DISC BRAKE FRONT HUB ASSEMBLIES

Item	Part Number	Part Description	Qty.	Comments
17-16007-1000				
25	R006000A	Flanged Wheel Nuts	10	
26	MS-216065M-2	Bolts	10	
27	1229-U-1503Z	Washers	10	
28	05-16007-002	Front hub assy. less rotor with wheel studs	1	Steel Wheel with ABS
29	09-002228	Wheel Studs	10	For Steel Wheels
30	23-123647-002	Rotor	1	
31	09-002166	ABS Tone Ring	1	
17-16008-1000				
25	R006000A	Flanged Wheel Nuts	10	
26	S-11016M-2	Bolts	10	
27	08-201941	Washers	10	
28	05-16008-002	Front hub assy. less rotor with wheel studs	1	Steel Wheel with ABS
29	09-002228	Wheel Studs	10	For Steel Wheels
30	23-123642-002	Rotor	1	
31	09-002166	ABS Tone Ring	1	

EX+ AIR DISC BRAKE REAR HUB ASSEMBLIES



Item	Part Number	Part Description	Qty.	Comments
16-15992-1011				
32	R006000A	Flanged Wheel Nuts	10	
33	08-007471	Drive Studs	10	
34	S-11014P-2	Bolts	10	
35	08-201941	Washers	10	
36	04-15992-004	Rear hub assy. less rotor w/ wheel & drive studs	1	Dual Alum Wheel w/ ABS
37	09-002003	Wheel Studs	10	Dual Alum Wheel
38	23-123642-002	Rotor	1	
39	09-002209	ABS Tone Ring	1	
16-16001-1006				
32	R006000A	Flanged Wheel Nuts	10	
33	08-008551	Drive Studs	10	
34	S-11014P-2	Bolts	10	
35	08-201941	Washers	10	
36	04-16000-006	Rear hub assy. less rotor w/ wheel & drive studs	1	Dual Alum Wheel w/ABS
37	09-002004	Wheel Studs	10	Dual Steel/Alum
38	23-123642-002	Rotor	1	
39	09-002209	ABS Tone Ring	1	
16-16001-1000				
32	R006000A	Flanged Wheel Nuts	10	
33	08-008551	Drive Studs	10	
34	S-11014P-2	Bolts	10	
35	08-201941	Washers	10	
36	04-16001-001	Rear hub assy. less rotor w/ wheel & drive studs	1	Dual Alum Wheel w/ ABS
37	09-002004	Wheel Studs	10	Dual Steel/Alum
38	23-123642-002	Rotor	1	
39	09-002209	ABS Tone Ring	1	

EX+ AIR DISC BRAKE REAR HUB ASSEMBLIES

Item	Part Number	Part Description	Qty.	Comments
16-16001-1001				
32	R006000A	Flanged Wheel Nuts	10	
33	08-008551	Drive Studs	10	
34	S-11014P-2	Bolts	10	
35	08-201941	Washers	10	
36	04-16001-002	Rear hub assy. less rotor w/ wheel & drive studs	1	Dual Alum Wheel w/ ABS
37	09-002004	Wheel Studs	10	Dual Steel/Alum
38	23-123642-002	Rotor	1	
16-16001-1002				
32	R006000A	Flanged Wheel Nuts	10	
33	08-008551	Drive Studs	10	
34	S-11014P-2	Bolts	10	
35	08-201941	Washers	10	
36	04-16001-003	Rear hub assy. less rotor w/ wheel & drive studs	1	Dual Alum Wheel w/ ABS
37	09-001989	Wheel Studs	10	Dual Steel
38	23-123642-002	Rotor	1	
39	09-002209	ABS Tone Ring	1	
16-16001-1003				
32	R006000A	Flanged Wheel Nuts	10	
33	08-008551	Drive Studs	10	
34	S-11014P-2	Bolts	10	
35	08-201941	Washers	10	
36	04-16001-004	Rear hub assy. less rotor w/ wheel & drive studs	1	Dual Alum Wheel w/ ABS
37	09-001989	Wheel Studs	10	Dual Steel
38	23-123642-002	Rotor	1	
16-16001-1004				
32	R006000A	Flanged Wheel Nuts	10	
33	08-008551	Drive Studs	10	
34	S-11014P-2	Bolts	10	
35	08-201941	Washers	10	
36	04-16001-005	Rear hub assy. less rotor w/ wheel & drive studs	1	Dual Alum Wheel w/ ABS
37	09-002003	Wheel Studs	10	Dual Alum
38	23-123642-002	Rotor	1	
39	09-002209	ABS Tone Ring	1	

EX+ AIR DISC BRAKE REAR HUB ASSEMBLIES

Item	Part Number	Part Description	Qty.	Comments
16-16001-1005				
32	R006000A	Flanged Wheel Nuts	10	
33	08-008551	Drive Studs	10	
34	S-11014P-2	Bolts	10	
35	08-201941	Washers	10	
36	04-16001-006	Rear hub assy. less rotor w/ wheel & drive studs	1	Dual Alum Wheel w/ ABS
37	09-002003	Wheel Studs	10	Dual Alum
38	23-123642-002	Rotor	1	
16-16009-1001				
32	R006000A	Flanged Wheel Nuts	10	
33	4-X-1612	Drive Studs	10	
34	MS-216065M-2	Bolts	10	
35	1229-U-1503Z	Washers	10	
36	04-16009-003	Rear hub assy. less rotor w/ wheel & drive studs	1	
37	09-002003	Wheel Studs	10	
38	23-123647-002	Rotor	1	
39	09-002165	ABS Tone Ring	1	
40	08-205900	ABS Tone Ring Bolts	6	
16-16017-1000				
32	R006000A	Flanged Wheel Nuts	10	
33	08-205994	Drive Studs	10	
34	MS-216070M-2	Bolts	10	
35	1229-U-1503Z	Washers	10	
36	N/A	Rear hub assy. less rotor w/ wheel & drive studs	1	
37	09-001988	Wheel Studs	10	Dual Steel Wheel
38	23-123647-002	Rotor	1	
39	09-002165	ABS Tone Ring	1	
40	08-205900	ABS Tone Ring Bolts	6	
16-16017-1001				
32	R006000A	Flanged Wheel Nuts	10	
33	08-205994	Drive Studs	10	
34	MS-216070M-2	Bolts	10	
35	1229-U-1503Z	Washers	10	
36	04-16017-002	Rear hub assy. less rotor w/ wheel & drive studs	1	
37	09-001728	Wheel Studs	10	Dual Alum Wheel
38	23-123647-002	Rotor	1	
39	09-002165	ABS Tone Ring	1	
40	08-205900	ABS Tone Ring Bolts	6	

EX+ AIR DISC BRAKE CHAMBERS

Part Description	Chamber Size
A103376P16	16
A13376A27	27
A13376D30	30
A13376P16	16
A13376T20	20
A13376X24	24
A23376P16	16
A23376T20	20
A33376A27	27
A33376T20	20
A33376X24	24
A43376A27	27
A43376P16	16
A43376T20	20
A43376X24	24
A53376A27	27
A53376P16	16
A53376T20	20
A53376X24	24
A63376A27	27
A63376P16	16
A63376T20	20
A63376X24	24
A73376A27	27
A73376P16	16
A73376T20	20
A73376X24	24
A83376P16	16
A83376X24	24
A93376T20	20
B193276T20	20
B203276T20	20
B623276X24	24
B633276X24	24
B643276X24	24/30
B653276X24	24/30
B663276X24	24/30

Part Description	Chamber Size
B673276X24	24/30
B683276X24	24/30
B693276X24	24/30
C163376X24	24/30
C63376X24	24/30
C73376X24	24/30
C83376X24	24/36
C873276X24	24
C883276X24	24
C893276X24	24
C903276X24	24
C913276X24	24
C923276X24	24
D23376X24	24/24
D33376P16	16/24
D33376X24	24/24
D43376X24	24/24
D583276X24	24
D593276X24	24
D603276X24	24
D613276X24	24
D623276X24	24
D973276D30	30/30
D983276D30	30/30
D993276D30	30/30
E103276X24	24/30
E113276X24	24/30
E13276X24	24/24
E23276X24	24/24
E33276X24	24/24
E43276X24	24/24
E53276X24	24/24
E63276X24	24/24
E73276X24	24/24
E83276X24	24/24
E93276X24	24/30

COMPETITIVE CROSS REFERENCE

Part Number	Description	Meritor #	Additional Meritor Part# for Complete Cross
Hendrickson Air Chambers			
S-32793-L	20 Wabco Pan 22	20HSCD2-3630	
S-32793-R	20 Wabco Pan 22	20HSCD2-3630	
S-32793-U	20 Wabco Pan 22	20HSCD2-3630	
S-33417-L	18 24 Knorr Bendix ADB22X	1824HTND-3628	
S-33417-R	18 24 Knorr Bendix ADB22X	1824HTND-3628	
S-33417-U	18 24 Knorr Bendix ADB22X	1824HTND-3628	
S-34421-L	20 24 Wabco Pan 22	2024HTND2-3626	
S-34421-R	20 24 Wabco Pan 22	2024HTND2-3626	
S-34421-U	20 24 Wabco Pan 22	2024HTND2-3626	
S-34446-L	18 24 Hendrickson MAXX 22T	1824HTND-3628	
S-34446-R	18 24 Hendrickson MAXX 22T	1824HTND-3628	
S-34446-U	18 24 Hendrickson MAXX 22T	1824HTND-3628	
Hendrickson Haldex DB22LT			
S-30560-8	Brake Pad Kit D22LT	MMD1583AF	
Hendrickson Knorr Bendix ADB22X			
S-29152-2	Pad Kit	MMD1369AF	
S-29152-3	Pad Kit	MMD1203AF	
S-29152-17	Splined Rotor & Fasteners ADB22X, ADB225, SN-7	M44D76692	M44D692
Hendrickson Wabco Pan 22			
S-32676-1	Pad Kit	12-999-796	
S-32676-1	Pad Kit	MMDWP22AF	
S-32676-4	Guide Bolt Kit	640-225-9212	
S-32676-7	LH Caliper & Carrier Assembly	40-225-015	
S-32676-8	RH Caliper & Carrier Assembly	40-225-016	
S-33648-2	LH Caliper & Carrier Assembly w/ Mounting Hardware, No Pads	40-225-015	640-225-9212
S-33648-3	RH Caliper & Carrier Assembly w/ Mounting Hardware, No Pads	40-225-016	640-225-9212
Knorr Bendix ADB22X			
5013257	Pad Kit	MMD1203AF	
802081	Rotor ADB22X 138mm U-Shaped	M44D76618	
802082	Rotor ADB22X 150mm U-Shaped	M44D76617	
802083	Splined Rotor & Fastners ADB22X, ADB225, SN-7	M44D76692	M44D692
802569	Splined Rotor & Fastners	M44D76692	M44D692
802669	Rotor SB7, SN7 114.7mm U-Shaped	M44D76641	
K021958	Rotor SB7, SN7 131mm U-Shaped	M44D76612	
K021959	Rotor SB7, SN7 179.7mm U-Shaped	M44D76604	
K037767	Splined Rotor Fastner Kit	M44D692	
K070796	Pad Kit	MMD1369AF	
II37415N	Rotor SB7, SN7 136mm U-Shaped	M44D76603	
SAF Holland			
03057008500Z	Brake Pads	MMD1369AF	
03079001501Z	Rotor Splined	M44D76692	M44D692
04454109864Z	16 24 Chamber	1424HTLD76-3708	
0445410996Z	18 24 Chamber	1824HTND2-3628	
04454110064Z	20 24 Chamber	2024HTND2-3626	

NUMERICAL PARTS LISTING

PART NUMBER	PAGE	PART NUMBER	PAGE	PART NUMBER	PAGE
802081.....	29	16-16017-1001.....	91	A-3263-M-1157S.....	35
802082.....	29	1616HTLD2-3627.....	30	A3-3263-M-1157.....	35
802569.....	29	17-15986-1005.....	87	A33376A27.....	92
802669.....	29	17-15988-1001.....	87	A33376T20.....	92
11047678.....	29	17-15988-1002.....	87	A33376X24.....	92
68324769.....	60	17-16007-1000.....	88	A4-3263-M-1157.....	35
68324854.....	61	17-16008-1000.....	88	A43376A27.....	92
68326014.....	27	1816HTND2-3669.....	30	A43376P16.....	92
68326850.....	78	1824HTND2-3628.....	30	A43376T20.....	92
68327173.....	78	2016HTND2-3710.....	30	A43376X24.....	92
68327174.....	78	2024HTND2-3626.....	30	A53376A27.....	92
68327178.....	78	20428193.....	29	A53376P16.....	92
68327462.....	78	20HSCND2-3630.....	30	A53376T20.....	92
68327463.....	78	2230-M-195.....	35	A53376X24.....	92
68327465.....	78	22HSCND2-3631.....	30	A63376A27.....	92
68327466.....	78	23-123642-002.....	27, 87, 88, 89, 90, 91	A63376P16.....	92
920924972.....	29	23-123647-002.....	27, 88, 91	A63376T20.....	92
04-15992-004.....	89	23-123725-002.....	27	A63376X24.....	92
04-16000-006.....	89	2424HTND2-3629.....	30	A73376A27.....	92
04-16001-001.....	89	24HSCND2-3632.....	30	A73376P16.....	92
04-16001-002.....	90	3092710.....	29	A73376T20.....	92
04-16001-003.....	90	3215D1590.....	78	A73376X24.....	92
04-16001-004.....	90	3215D1720.....	78	A83376P16.....	92
04-16001-005.....	90	3215G1593.....	78	A83376X24.....	92
04-16001-006.....	91	3215M1833.....	78	A93376T20.....	92
04-16009-003.....	91	3215P1914.....	78	B193276T20.....	92
04-16017-002.....	91	3215W1791.....	78	B203276T20.....	92
05-15986-004.....	87	3218-A-131.....	27	B623276X24.....	92
05-15988-001.....	87	3218-H-138.....	27	B633276X24.....	92
05-15988-002.....	87	3218-J-1076.....	27	B643276X24.....	92
05-16007-002.....	88	3218-K-1415.....	27	B653276X24.....	92
05-16008-002.....	88	3218-K-167.....	27	B663276X24.....	92
08-007471.....	89	3218-N-1054.....	27	B673276X24.....	92
08-008551.....	89, 90, 91	3218-N-1366.....	27	B683276X24.....	92
08-201941.....	87, 88, 89	3218-P-1186.....	27	B693276X24.....	92
08-201941.....	87, 89, 90, 91	3218-Q-1447.....	27	C163376X24.....	92
08-205900.....	91	3218-S-1007.....	27	C63376X24.....	92
08-205994.....	91	3218-U-1009.....	27	C73376X24.....	92
09-001728.....	91	3218-Z-1404.....	27	C83376X24.....	92
09-001988.....	87, 91	3218-Z-156.....	27	C873276X24.....	92
09-001989.....	87, 90	3264-Q-1577.....	86	C883276X24.....	92
09-002003.....	89, 90, 91	3988839.....	29	C893276X24.....	92
09-002004.....	89, 90	40-175-072.....	63	C903276X24.....	92
09-002005.....	87	40-175-073.....	63	C913276X24.....	92
09-002165.....	91	40-195-037.....	65	C923276X24.....	92
09-002166.....	88	40-195-038.....	65	CT807.....	29
09-002206.....	87	40-225-015.....	67	CT826.....	29
09-002209.....	87, 89, 90	40-225-016.....	67	CT832.....	29
09-002228.....	88	41X-1801.....	81	D23376X24.....	92
10016195.....	29	4-X-1612.....	91	D33376P16.....	92
10018609.....	29	640-225-9212.....	65, 67	D33376X24.....	92
10721062.....	29	68322655PK10.....	61	D43376X24.....	92
10977055.....	29	68323736.....	29	D583276X24.....	92
1229-U-1503Z.....	88, 91	68323746PK10.....	61	D593276X24.....	92
12-999-699VT.....	63	68932068NZP.....	11	D603276X24.....	92
12-999-703VT.....	18, 63	85103803.....	29	D613276X24.....	92
12-999-737VT.....	16, 65	85110496.....	29	D623276X24.....	92
12-999-743VT.....	63	8551042.....	29	D973276D30.....	92
12-999-755VT.....	63, 65, 67	A103376P16.....	92	D983276D30.....	92
12-999-796.....	67	A1-3263-M-1157.....	35	D993276D30.....	92
12-999-806.....	63	A13376A27.....	92	DX19539.....	41
16-15992-1011.....	89	A13376D30.....	92	DX19540.....	41
16-16001-1000.....	89	A13376P16.....	92	DX225211001K.....	47
16-16001-1001.....	90	A13376T20.....	92	DX225211002K.....	47
16-16001-1002.....	90	A13376X24.....	92	E103276X24.....	92
16-16001-1003.....	90	A2-3263-M-1157.....	35	E113276X24.....	92
16-16001-1004.....	90	A23376P16.....	92	E13276X24.....	92
16-16001-1005.....	91	A23376T20.....	92	E23276X24.....	92
16-16001-1006.....	89	A3236-G-267.....	86	E33276X24.....	92
16-16009-1001.....	91	A3236-H-268.....	86	E43276X24.....	92
16-16017-1000.....	91	A3236-J-270.....	86	E53276X24.....	92

NUMERICAL PARTS LISTING

PART NUMBER	PAGE	PART NUMBER	PAGE	PART NUMBER	PAGE
E63276X24	92	KIT 15016	38	MMD130AF	9
E73276X24	92	KIT 15625PM	38	MMD1311AF	10
E83276X24	92	KIT 15627PM	38	MMD1312AF	11
E93276X24	92	KIT 195006	44, 47	MMD1369AF	13, 33
EX225H201XX000	53	KIT 195011	48	MMD1370AF	14
EX225H202XX000	53	KIT 195013	47	MMD1407AF	15
EX225H203XX000	53	KIT 195015A	44, 48	MMD1438AF	16, 65
EX225H204XX000	53	KIT 195018A	44, 48	MMD1441AF	17
EX225H205XX000	53	KIT 195020	42	MMD1518AF	18, 63
EX225H206XX000	53	KIT 195021	42	MMD1525AF	19, 42
EX225H207XX000	53	KIT 225012	47	MMD1526AF	20, 50
EX225H208XX000	53	KIT 225020	50	MMD1527AF	21
EX225H213XX000	53	KIT 225021	50	MMD1560AF	22
EX225H214XX000	53	KIT195020	19	MMD1583AF	23
EX225H215XX101	57	KIT195021	19	MMDW22AF	67
EX225H216XX101	57	KIT225200	61	MS-216065M-2	88, 91
EX225H217XX100	53	KIT225205	80	MS-216070M-2	91
EX225H218XX100	53	KIT225206	80	MST225 5001	86
EX225H301XX000	53	KIT225207	60	N508030009	29
EX225H302XX000	53	KIT225207ES	60	N508030038	29
EX225H305XX000	53	KIT225208	80	N508030040	29
EX225H306XX000	53	KIT225210	60	R006000A	87, 88, 89, 90, 91
EX225H307XX000	57	KIT225237	60	R6206M	29
EX225H308XX000	57	KIT225250	60	S-11014P-2	89, 90, 91
EX225H309XX000	57	KIT225251	60	S-11016M-2	87, 88
EX225H310XX000	57	KIT225252	80	S-11016P-2	87
EX225H401XX000	55	KIT225255	60		
EX225H402XX000	55	KIT225256	61		
EX225H403XX000	55	KIT225257	81		
EX225H404XX000	55	KIT225258	81		
EX225H405XX000	55	M44D6206	29		
EX225H406XX000	55	M44D692	33		
EX225H601XX000	55	M44D71601	29		
EX225H602XX000	55	M44D75180	29		
EX225H609XX000	59	M44D76602A	29		
EX225H610XX000	59	M44D76603	29		
EX225L201XX000	53	M44D76604	29		
EX225L202XX000	53	M44D76605	29		
EX225L205XX000	57	M44D76610	29		
EX225L206XX000	57	M44D76611	29		
EX225L207XX000	57	M44D76612	29		
EX225L208XX000	57	M44D76613	29		
EX225L213XX000	53	M44D76616	29		
EX225L214XX000	53	M44D76617	29		
EX225L219XX000	57	M44D76618	29		
EX225L220XX000	57	M44D76621	29		
EX225L221XX000	57	M44D76641	29		
EX225L222XX000	57	M44D76642	29		
EX225L223XX000	57	M44D76690	29		
EX225L224XX000	57	M44D76691	29		
EX225L225XX000	57	M44D76692	29		
EX225L226XX000	57	MA703	10		
EX225L235XX000	53	MA705	20		
EX225L236XX000	53	MA721	10, 12, 20		
EX225L237XX000	53	MA741	10, 14		
EX225L238XX000	53	MA761	14		
EX225L239XX000	53	MCK1154	41		
EX225L240XX000	53	MCK1159	48		
EX225L245XX000	53	MCK1161	41, 48		
EX225L246XX000	53	MCK1171	42		
II37415N	29	MCK1173	49		
K021958	29	MCK1189	43		
K021959	29	MCK1192	43		
K034497	29	MCK1192	50		
KIT 15001	35	MCK1196	50		
KIT 15003	36	MCK1294	43, 49		
KIT 15006RH	36	MCK1375	47		
KIT 15007LH	37	MD1323AF	12		
KIT 15010	37	MDP5060	9		
KIT 15012	37	MDP5110	15		
KIT 15015	38	MMD1203AF	8, 33		

MERITOR AFTERMARKET PARTS WARRANTY

We warrant all new parts for one year from date of shipment to the buyer against defective material or workmanship (but not against damage caused by accident, abuse or improper installation, maintenance or repair) when such parts are used on vehicles the specifications of which have been approved by our Engineering Department.

As the exclusive remedy under this warranty, we will, at our option, repair or replace such parts free of charge, or take back the nonconforming parts and refund the monies paid by buyer for such parts, if found on examination by us to be nonconforming and if any necessary return charges are prepaid.

If it is necessary to return any parts under this warranty, buyer agrees not to make any deduction on account thereof from remittances on current accounts while claims are in the process of disposition. Any expense incurred without our consent for repairs or replacement will not be allowed.

THIS WARRANTY IS EXPRESSLY IN LIEU OF ALL OTHER WARRANTIES OR CONDITIONS, EXPRESS, IMPLIED OR STATUTORY, INCLUDING ANY IMPLIED WARRANTY OF MERCHANTABILITY OR FITNESS FOR PARTICULAR PURPOSE. IN NO EVENT SHALL SELLER BE LIABLE FOR INCIDENTAL OR CONSEQUENTIAL DAMAGES OF ANY NATURE.

Only genuine Meritor replacement parts are covered by this aftermarket parts warranty.

Vehicle models, brands and names depicted herein are the property of their respective owners, and are not in any way associated with Meritor, Inc., or its affiliates.



Meritor Heavy Vehicle Systems, LLC
7975 Dixie Highway
Florence, Kentucky 41042 USA

888-725-9355 U.S.
800-387-3889 Canada
MeritorPartsOnline.com
meritor.com

©2015 Meritor, Inc.
Litho in USA, PB-1461
Revised 05-15 (47865/70906)